



宇明阀门集团

YUMING VALVE GROUP

浩 瀚 宇 宙 辉 煌 明 天

Harbor the World a Better Tomorrow

SINCE 1972



宇明阀门集团
YUMING VALVE GROUP

地址: 郑州荥阳宇明工业区 (450141)

Add: YuMing Industrial Park, Xingyang, Zhengzhou, Henan

电话/Tel: 86-371-64891111 64892222

传真/Fax: 86-371-62558880

邮箱/E-mail: sales@ym-valves.com

Web: www.ym-valves.com

China's Well-Known Trademark



YUMING VALVE GROUP

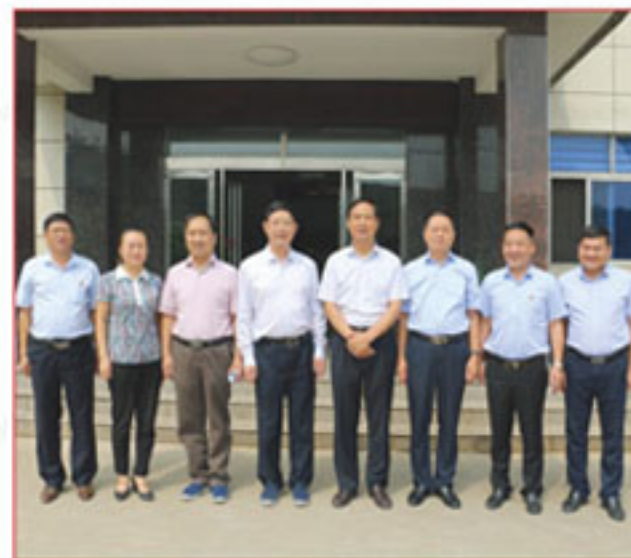
Expert in Industry Fluid
System Control

领导关怀

Leadership Concern



• 赵建才副省长为宇明集团国家阀门制订标准化工作成就颁奖



• 市委书记宋书杰带领各局委领导莅临公司指导工作

• 荥阳市委书记宋书杰莅临宇明集团指导工作

宇明在各界领导的关怀与支持下，
更加有信心的，走出自主发展创新之路，
一定能够克服各种困难，
把事业做的更强，
更好的回馈社会。



• 荥阳市副市长张红伟率领博士团到公司视察调研





企业简介

Company Profile

宇明阀门集团有限公司位于“中国阀门之乡”—荥阳，北望黄河，毗邻S314省道、连霍高速和陇海铁路，交通便利，物流发达。公司创建于1972年，工业园总占地面积82000平方米，建筑面积38000平方米。现有员工500余人，各类专业技术人员80余人，注册资金壹亿元，已成为集研发、制造、销售于一体的专业阀门生产企业。

宇明集团的主要产品有安全阀、球阀、蝶阀、闸阀、截止阀、止回阀、柱塞阀、排污阀、减压阀、疏水阀等十几个品种，两千多个规格。公称尺寸从DN15~DN4000，公称压力PN6~PN320，主体材质包括铸铁、铸钢、耐热钢、不锈钢等，可按照最新的GB、ANSI、API、DIN标准设计制造，产品广泛应用于石油化工、电力、冶金、医药、房地产、市政工程等行业。公司拥有铸造、机械加工、焊接、热处理、密封面研磨等设备三百多台（套）；拥有安全阀全性能试验中心、光谱仪、材料试验机、弹簧试验机、金相分析仪、测厚仪、布洛维硬度测试仪、无损探伤机及阀门试验机等专用检测设备，严格按照标准要求对产品生产的全过程进行质量跟踪控制，确保了产品的卓越品质和良好信誉。

宇明集团坚持科学管理，坚持质量技术创新。公司建立“市级企业技术中心”，采用新工艺、新技术、新材料，应用计算机三维软件和动态模拟技术设计开发新产品，“明”字牌阀门产品畅销全国各地，并远销欧美和东南亚等地区。公司现为中国通用机械工业协会阀门分会会员单位，中国石油和石油化工设备工业协会会员单位，中国装备总公司定点生产单位，中国电力配件网网络成员。1999年起先后获得ISO9001国际质量管理体系认证、国家质量监督检验检疫总局特种设备制造许可（压力管道元件、安全附件）A1级认证、美国石油学会API6D认证、ISO14001环境管理体系认证、职业健康安全管理体系认证、河南省计量A级认证。2003年至今，“明”牌阀门连续获得“河南省名牌产品”和“河南省著名商标”称号；2008年，宇明公司成为“全国阀门标准化技术委员会安全阀、球阀工作组”组长单位，几年来已负责制订《低温介质用弹簧直接载荷式安全阀》国家标准，并参与《安全阀一般要求》、《安全阀结构长度》、《柱塞阀》等国标的制修订工作。2008年宇明公司被河南省质量技术监督局授予“全省质量管理先进企业”称号；2014年8月，宇明公司被河南省工商行政管理局授予“2012-2013年度守合同重信用企业”，同年，宇明集团的“明及图”荣获“中国驰名商标”称号；2015年11月，宇明公司取得“中核集团合格供应商证书”，正式进军核工业领域；2016年宇明公司被评为“郑州市工业百强企业”。

宇明阀门集团坚持质量为本、坚持诚信经营、坚持客户至上，把“诚信守法”作为企业发展的重要基石，严格按照标准和法规的要求设计生产，为顾客提供优质的阀门产品和服务。“满意顾客、发展自我”是公司不断改进的动力，也是公司恒久追求的目标。

欢迎新老客户莅临公司参观指导！

Yu Ming Valve Group Co., Ltd. is located in "Chinese valve village" - Xingyang, north the Yellow River, adjacent to the S314 highway, Lianhuo Expressway and Longhai railway, with convenient transportation and developed logistics. Founded in 1972, industrial park covers an area of 82000 square meters, construction area of 38000 square meters. The existing staff is more than 500 and all kinds of professionals is more than 80. With the registered capital of 100 million yuan, Yu Ming has become a professional manufacturer which involved R&D, production and sales.

The main products of Yuming Valve are safety valve, ball valve, butterfly valve, gate valve, globe valve, check valve, plunger valve, drain valve, relief valve, etc. more than a dozen varieties and 2 thousand specifications. Nominal size is from DN15 to DN4000 and nominal pressure PN6-PN320. The main materials of valves contains cast iron, cast steel, heat-resistant steel, stainless steel and so on. We could produce in accordance with the latest GB, ANSI/API, DIN standard. The products are widely used in petroleum chemical industry, electric power, metallurgy, medicine, real estate, municipal engineering and other industries. Yu Ming Valve Group have 300 sets of products equipment like casting, machining, welding, heat treatment, sealing surface grinding and other equipment. And many special testing equipment, safety valve spectrometer, material testing machine, spring testing machine, metallographic analyzer, thickness gauge, Blovi hardness tester, nondestructive testing machine special testing equipment and valve testing machine etc. Our company strictly carries out quality tracking control on the whole production process to ensure product's high quality and good reputation.

Yu Ming Group relies on scientific management and the creation of quality & technology. With the establishment of technology center municipal enterprises, Yu Ming try to design and develop new products using new process, new technology, new materials, three-dimension software of applied computer and its dynamic simulation technique. "Ming" Brand valve products sell well all over the country and exported to Europe and Southeast Asia and other regions. The company is the member of China General Machinery Industry Association Valves Branch, China Petroleum and Petrochemical Equipment Industry Association, Chinese Equipment Corporation sentinel production units, and Chinese Power Fittings Network. Since 1999, Yu Ming Valve have obtained ISO9001 international quality management system certification, A1 degree certification of the State Administration of quality supervision of special equipment manufacturing license (pressure piping components and safety accessories), the American Petroleum Institute API6D certification, ISO14001 environmental management system certification, occupation health and safety management system certification, A degree certification of measurement of Henan Province. Since 2003, the "Ming" brand valve won consecutive title of "Henan Famous Brand Product" and "Henan Famous Brand"; in 2008, Yu Ming company acted as the lead institution in the working group of safety valve and ball valve in National Standardization Technical Committee valve. In recent years, Yu Ming has been responsible to formulate Chinese National Standard of "spring loaded safety valve" with the low temperature medium, and to participate in development and revision of Chinese Standard of "General requirements for safety valve, safety valve structure length" "plunger valve" etc. In 2008, Yu Ming Company was honored the Henan Quality Management Advanced Enterprise by the Quality and Technological Supervision of Henan Province; in August 2014, Yu Ming Company was awarded "Contract First, Credit First Enterprise in 2012-2013" by Administration for Industry and Commerce of Henan Province; in the same year, "Ming" brand has been awarded "Chinese Famous Brand"; in Nov 2015, Yu Ming Company has formally entered the nuclear industry after getting "CNNC Qualified Supplier Certificate"; in 2016, Yu Ming company was named "Zhengzhou city High Industrial Hundred Enterprise".

Trusty and lawful operation is the important foundation of our enterprise development. Persisting in the concept of "Quality Important, Integrity Management, Customer First" Yu Ming design and product valves in strict accordance with the standards and regulatory requirements to provide good quality products and services to all customers. "Customers Satisfaction and Professional Self-development" has been the driver behind our enterprise's development, but also our eternal pursuit.

Warmly welcome new and old customers to visit our factory.

YUMING VALVE GROUP

Expert in Industry Fluid
System Control

研发中心

R&D Center



YUMING VALVE GROUP
Expert in Industry Fluid
System Control

员工风采

Staff Charisma

宇明坚持以人为本，建设“宇明家园”为企业文化，重视提高员工综合素质、社会保障和生活质量，弘扬员工主人翁精神，打造学习型企业，提高生产效率，促进员工与企业和谐发展。



• 董事长为公司优秀员工颁奖



• 优秀员工上台领奖

万众一心，步调一致，为实现目标努力而奋斗



• 公司年会员工士气展示



• 郑州市五一劳动奖章



• 员工节目表演



• 文艺表演

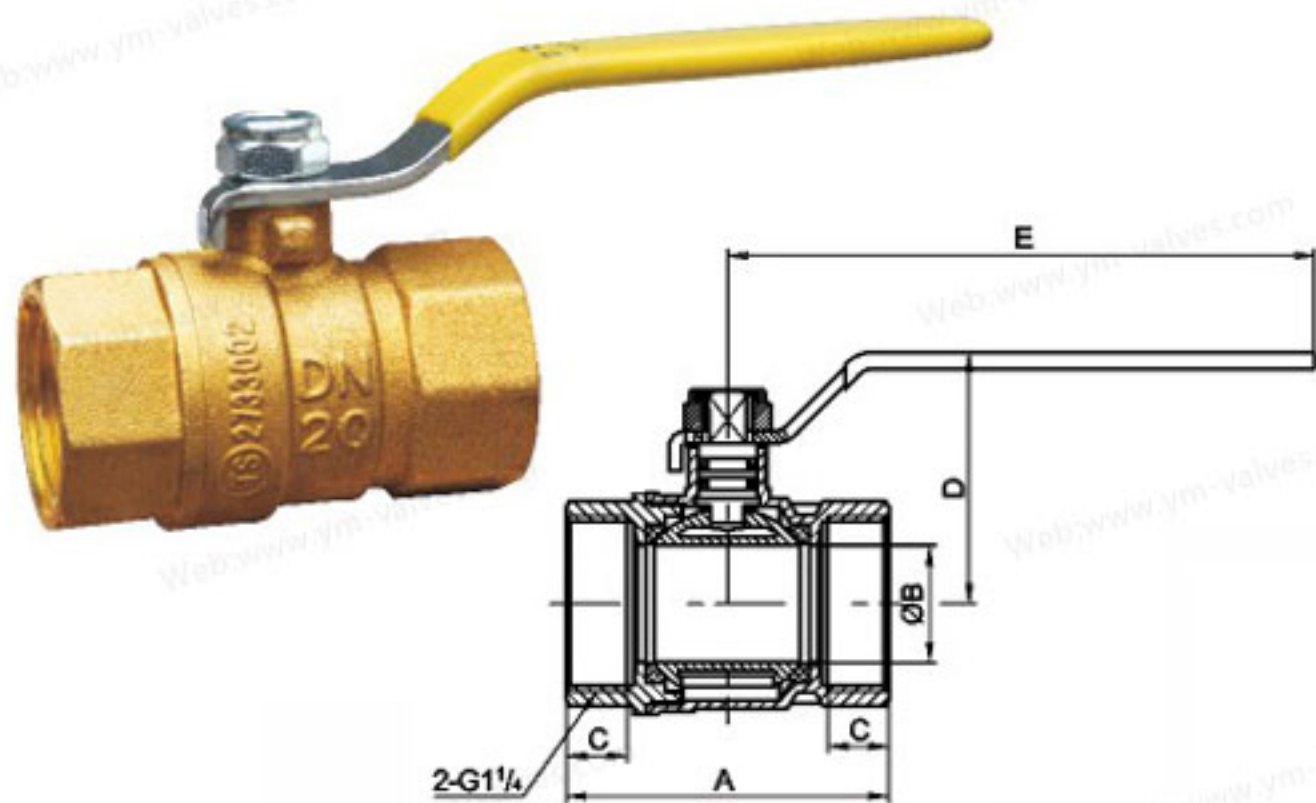


• 公司员工欢快的舞蹈



• 荣阳政协副主席韦庆华为销售状元颁奖

Brass Ball Valve



Design specification

Nominal pressure : PN16

Size range : 1/2" - 4"

Working medium : water,oil,gas

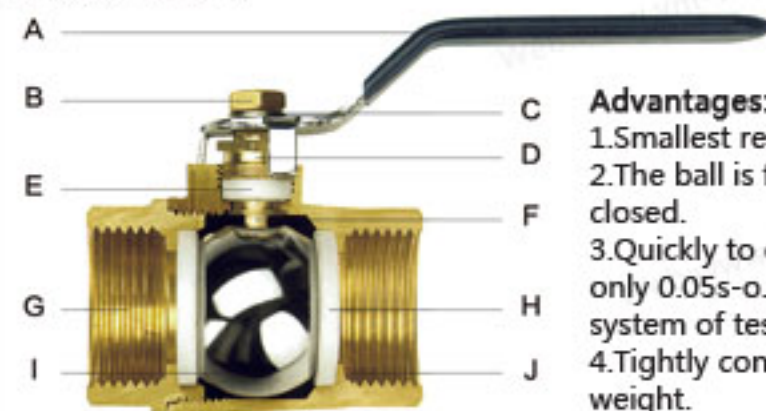
Body material : Brass

Connection type : BSP, BSPT, NPT

Working temp : $-20^{\circ}\text{C} \leq T \leq 120^{\circ}\text{C}$

Structural drawing:

Ball valve evaluates from the cock,the ball moves around the centre-axis of stem 90° when it works and closes.It's mainly used in duct to cut off,regulate the flow and change the direction of flow medium.



Advantages:

- 1.Smallest resistance with the fluid(by zero in fact).
- 2.The ball is free to bare the high pressure when it closed.
- 3.Quickly to open and close (some components need only 0.05s-o.1s),to be assure to used in the automatic system of test bed.
- 4.Tightly connected components,small volume,light weight.

A. Handle B. Nut C. Spring lock was her D. Gland nut E. Packing
 F. Stem G.Bonnet H. Seat I.Ball J.Body

Brass Gate Valve



Design specification

Nominal perssure : PN16

Size range : 1/2" - 2"

Working medium : water,oil,gas

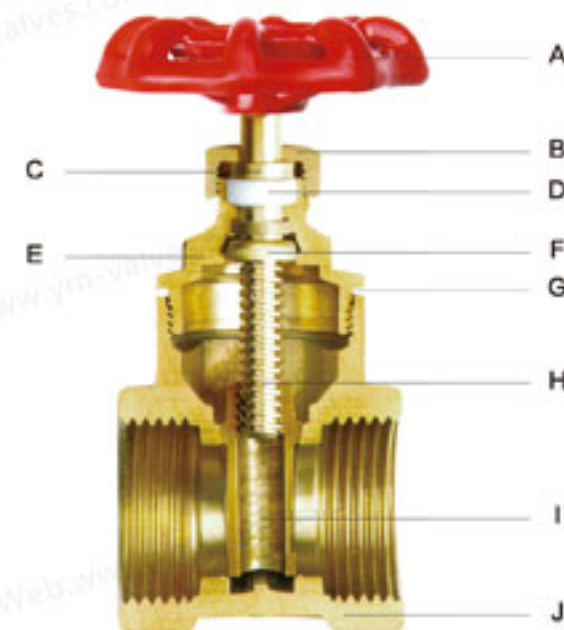
Body material : Brass

Connection type : BSP, BSPT, NPT

Working temp : $-20^{\circ}\text{C} \leq T \leq 120^{\circ}\text{C}$

Structural drawing

Gate valve is a valve with the disc moving vertical with the centre-axis of valve seat when it works. It's mainly used in connecting and stop medium.

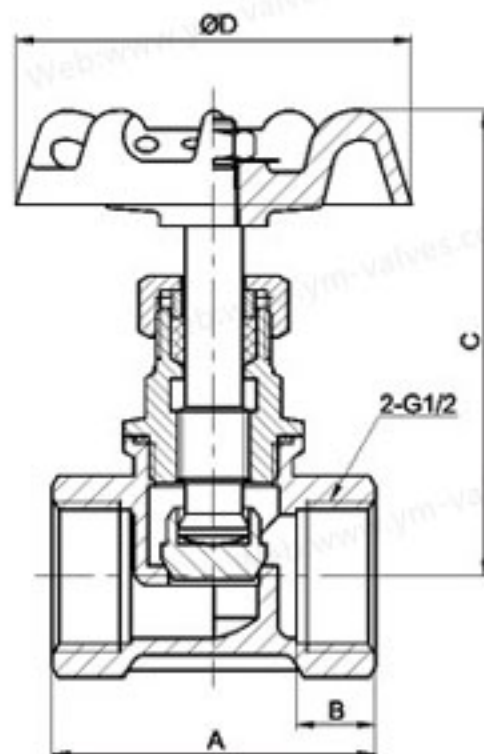


Advantages:

- 1.Small resistance with the fluid.
- 2.Small force in needed when open and close.
- 3.Unlimited by the direction of flow medium.
- 4.Resistance between the working medium and the sealing surface is smaller than that of stop valve's when the valve is opened completely.

A.Hand-wheel B.Gland nut C. Gaskets(copper)
 D.Packing E. Bonnet F.Packing ring
 G.Gasket H.Stem I. Wedge Disc
 J.Body

Brass Globe Valve



Design specification

Nominal pressure : PN16

Size range : 1/2" - 2"

Working medium : water,oil,gas

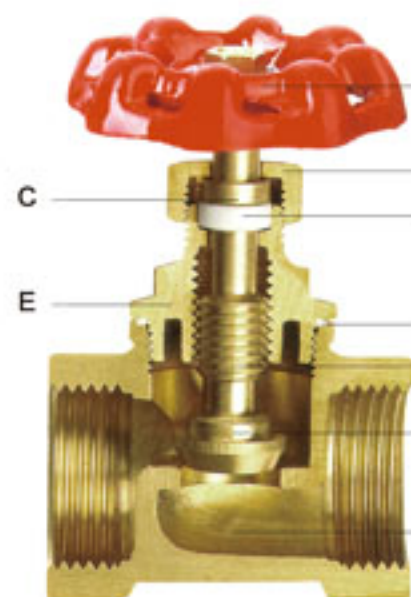
Body material : Brass

Connection type : BSP, BSPT, NPT

Working temp : -20°C ≤ T ≤ 150°C

Structural drawing

Globe valve is a valve with the flap moving along with the centre-axis of valve seat when it works. The diameter of seat turns bigger when flap moves higher and smaller when flap lower. The valve is especially suitable for controlling the flow for its short distance of moving, quickly and reliable stop function and its working principle. This type of valve is suitable for stopping, controlling and regulating the supply of flow.

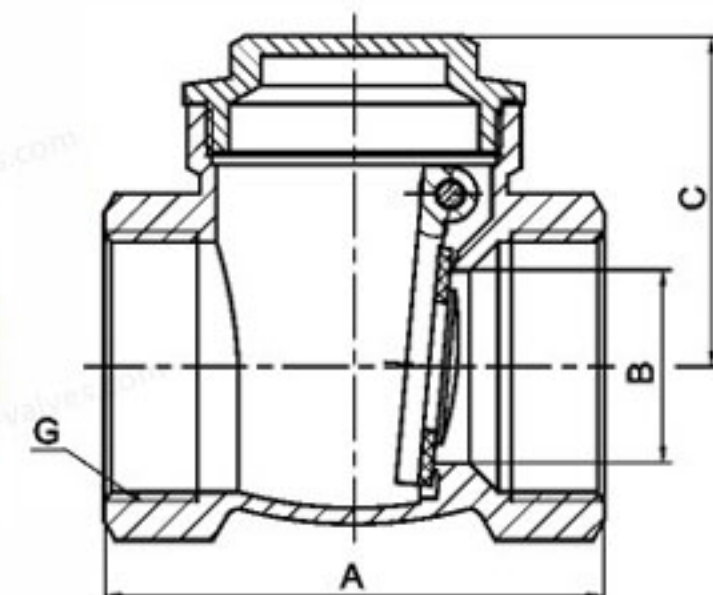


Advantages:

1. With better wear resistance for smaller friction between the flap and sealing surface during valve opening and shut-off.
2. The height is only about 1/4 of the distance of the valve seat when valve opened.
3. Usually with only one sealing surface to assure good manufacturing technology and easy for maintenance.

- | | | |
|--------------|--------------|--------------------|
| A. Handwheel | B. Gland nut | C. Gaskets(copper) |
| D. Packing | E. Bonnet | F. Gaskets |
| G. Stem | H. Flap | I. Body |

Brass Check Valve



Design specification

Nominal pressure : PN16

Size range : 1/2" - 4"

Working medium : water,oil

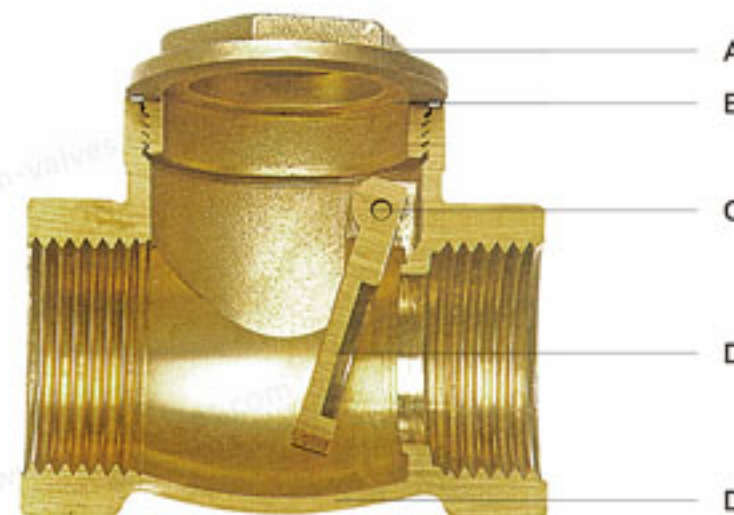
Body material : Brass

Connection type : BSP, BSPT, NPT

Working temp : -20°C ≤ T ≤ 100°C

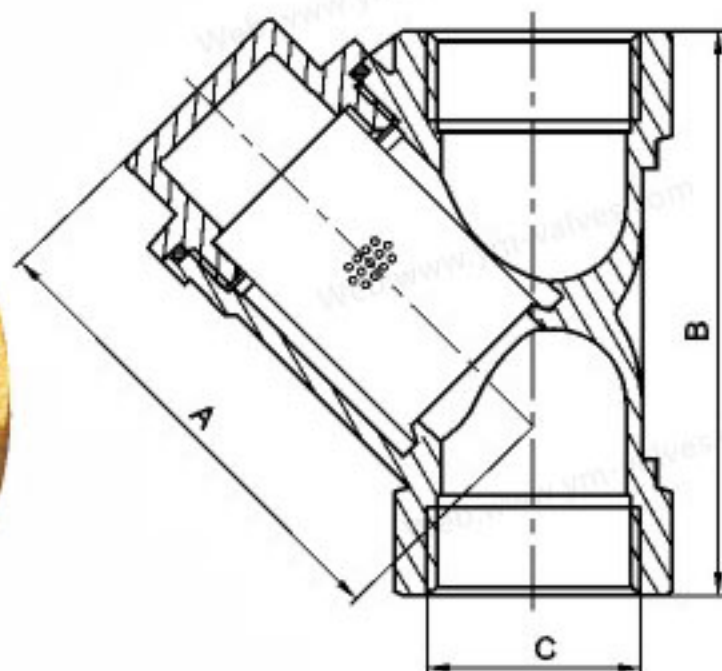
Structural drawing

Check valve is also called the reflux valve, no-return and back valve. It is a kind of automatic valve used in duct system working based on the power of fluid medium itself. The main function of this valve is to stop the medium from back of and bleeding from then container. It's also suitable for using as the assistance system for system for supplying when the pressure is higher than main system.



- | |
|-------------|
| A. Bonnet |
| B. Packing |
| C. Axis Pin |
| D. Flap |
| E. Body |

Brass Y Strainer



Design specification

Nominal pressure : PN16

Size range : 1/2" - 2"

Working medium : water,oil

Body material : Brass

Connection type : BSP, BSPT, NPT

Working temp : $-20^{\circ}\text{C} \leq T \leq 150^{\circ}\text{C}$

Structural drawing

Brass Y strainer is an indispensable device for conveying media piping, usually installed in the inlet end of a relief valve, pressure relief valve, water level valve or other equipment, to eliminate impurities in the medium to protect the valve and equipment The normal use. When the fluid into the filter with a certain size of the filter, the impurities are blocked, and clean the filtrate from the filter outlet, when the need for cleaning, as long as the removable filter removed, re-loaded after processing that Can be used to maintain very convenient.



Advantages:

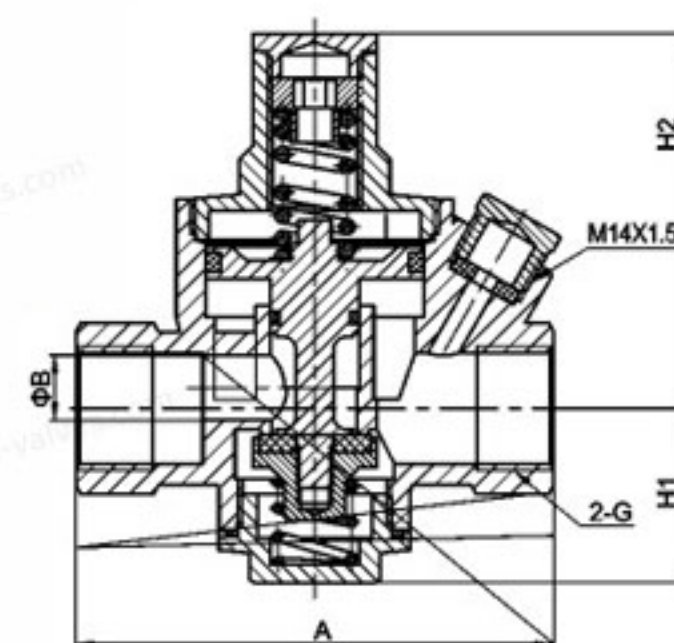
1. Widely used in heat, health systems, as well as water supply and drainage, compressed air and other systems
2. Filter a variety of precision optional
3. The filter is removable and easy to maintain.

A. Filter cartridge

B. Inlet

C. Outlet

Brass Piston Type Decompression Valve



Design specification

Nominal pressure : PN16

Size range : 1/2" - 2"

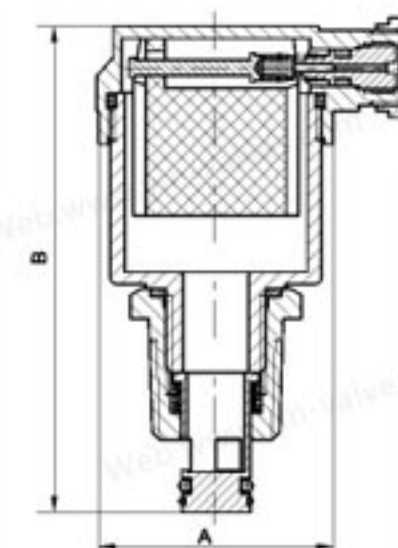
Working medium : water, gas

Body material : Brass

Connection type : BSP, BSPT, NPT

Working temp : $-20^{\circ}\text{C} \leq T \leq 80^{\circ}\text{C}$

Brass Exhausting Valve



Design specification

Nominal pressure : PN16

Size range : 1/2" - 1"

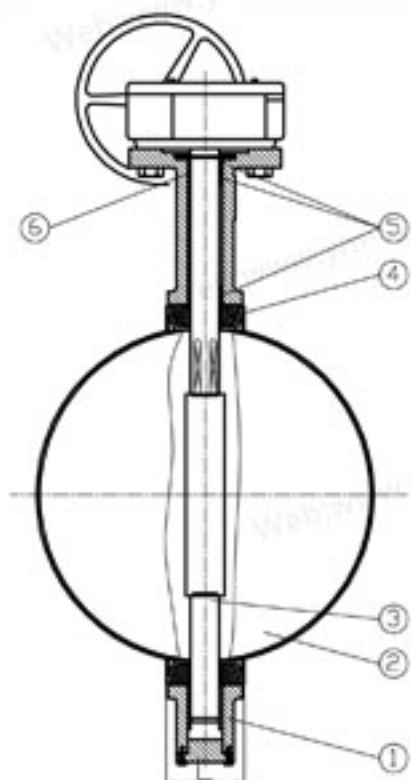
Working medium : water, gas

Body material : Brass

Connection type : BSP, BSPT, NPT

Working temp : $-20^{\circ}\text{C} \leq T \leq 100^{\circ}\text{C}$

Wafer Butterfly Valve



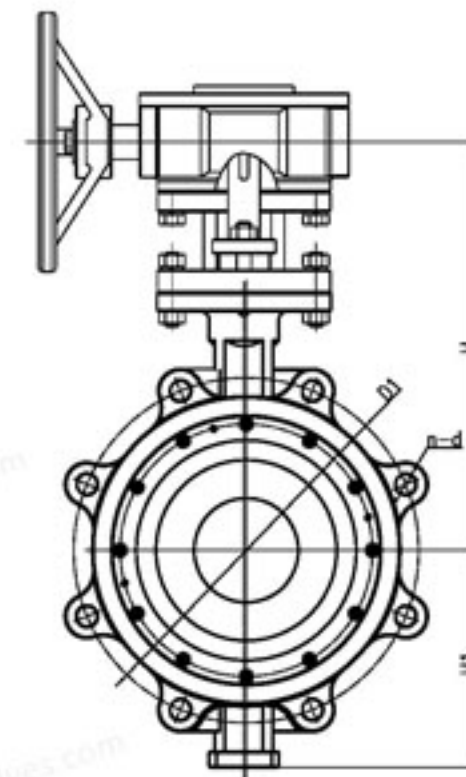
Design specification

Nominal pressure : PN10/PN16
 Size range : 2" - 6"
 Working medium : water,oil,gas
 Working temp : $-20^{\circ}\text{C} \leq T \leq 120^{\circ}\text{C}$
 Drive form : Level, Worm Gear ,
 Electric Actuator ,Pneumatic Actuator

Body : CI, DI, WCB, stainless steel
 Disc : CI, DI, WCB, stainless steel
 Seal : EPDM, PTFE ,FPM ,NBR, Rubber
 Stem : 45#, 2Cr13, Stainless steel
 Handle : Iron, Aluminum
 Standard : API ,ANSI, ASME, DIN, BS,JIS



Lug Butterfly Valve



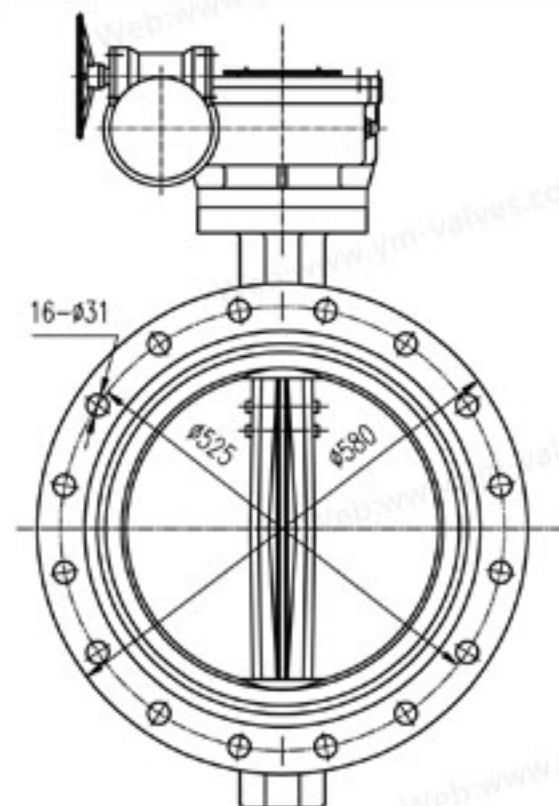
Design specification

Nominal pressure : PN10/PN16
 Size range : 2" - 24"
 Working medium : water,oil,gas
 Working temp : $-20^{\circ}\text{C} \leq T \leq 120^{\circ}\text{C}$
 Drive form : Level, Worm Gear ,
 Electric Actuator ,Pneumatic Actuator

Body : CI, DI, WCB, stainless steel
 Disc : CI, DI, WCB, stainless steel
 Seal : EPDM, PTFE ,FPM ,NBR, Rubber
 Stem : 45#, 2Cr13, Stainless steel
 Handle : Iron, Aluminum
 Standard : API ,ANSI, ASME, DIN, BS,JIS



Flange Butterfly Valve



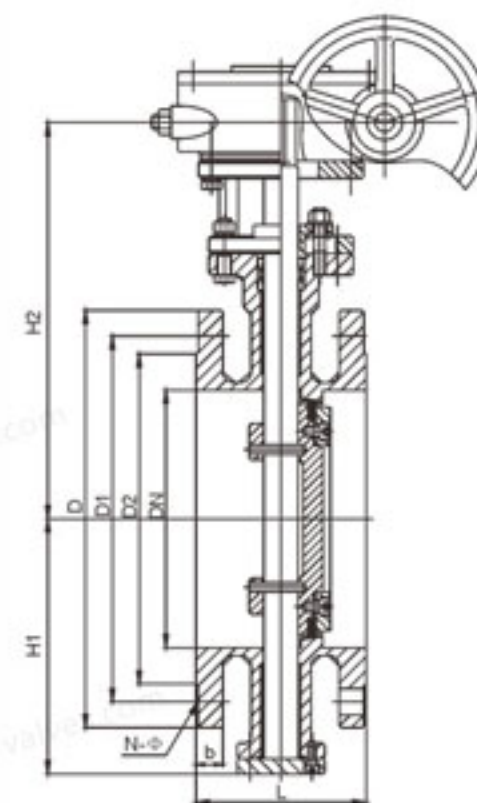
Design specification

Nominal pressure : PN10/PN16/PN25
 Size range : 2" - 48"
 Working medium : water,oil,gas
 Working temp : $-20^{\circ}\text{C} \leq T \leq 120^{\circ}\text{C}$
 Drive form : Level, Worm Gear ,
 Electric Actuator ,Pneumatic Actuator

Body : CI, DI, WCB, stainless steel
 Disc : CI, DI, WCB, stainless steel
 Seal : EPDM, PTFE ,FPM ,NBR, Rubber
 Stem : 45#, 2Cr13, Stainless steel
 Handle : Iron, Aluminum
 Standard : API ,ANSI, ASME, DIN, BS,JIS



Metal Butterfly Valve



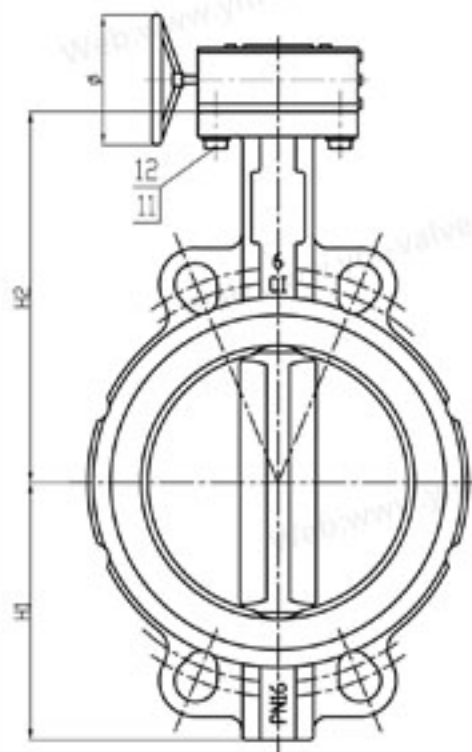
Design specification

Nominal pressure : PN16/PN25
 Size range : 2" - 48"
 Working medium : water,oil,gas
 Working temp : $-46^{\circ}\text{C} \leq T \leq 425^{\circ}\text{C}$
 Drive form : Manual, Worm Gear ,
 Electric Actuator ,Pneumatic Actuator

Body : WCB, stainless steel
 Disc : WCB, stainless steel
 Seal : Alloy steel, stainless steel
 Connection type : Flange, Wafer
 Standard : API ,ANSI, ASME, DIN, BS,JIS



Fireproof Butterfly Valve



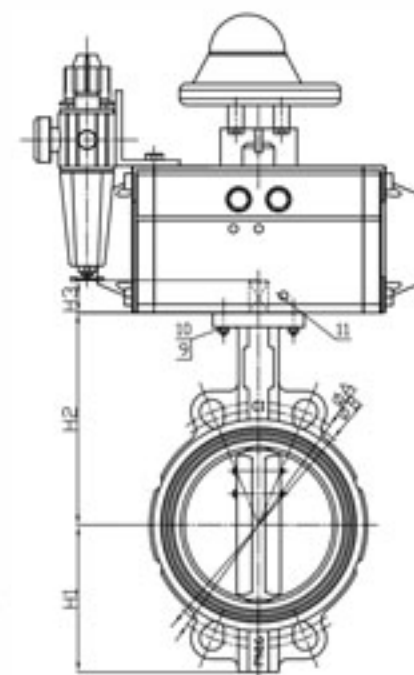
Design specification

Nominal pressure : PN10/PN16
Size range : 2" - 8"
Working medium : water,oil,gas
Working temp : $-20^{\circ}\text{C} \leq T \leq 120^{\circ}\text{C}$
Drive form : Level, Worm Gear ,
Electric Actuator ,Pneumatic Actuator

Body : CI, DI, WCB, stainless steel
Disc : CI, DI, WCB, stainless steel
Seal : EPDM, PTFE ,FPM ,NBR, Rubber
Stem : 45#, 2Cr13, Stainless steel
Handle : Iron, Aluminum
Standard : API ,ANSI, ASME, DIN, BS,JIS



Pneumatic Butterfly Valve

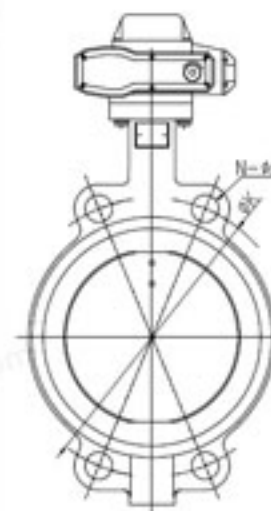


Design specification

Nominal pressure : PN10/PN16
Size range : 2" - 48"
Working medium : water,oil,gas
Working temp : $-20^{\circ}\text{C} \leq T \leq 120^{\circ}\text{C}$
Standard : API ,ANSI, ASME, DIN, BS,JIS

Body : CI, DI, WCB, stainless steel
Disc : CI, DI, WCB, stainless steel
Seal : EPDM, PTFE, FPM, NBR, Rubber,
Alloy steel, stainless steel
Connection type : Wafer, Lug, Flange

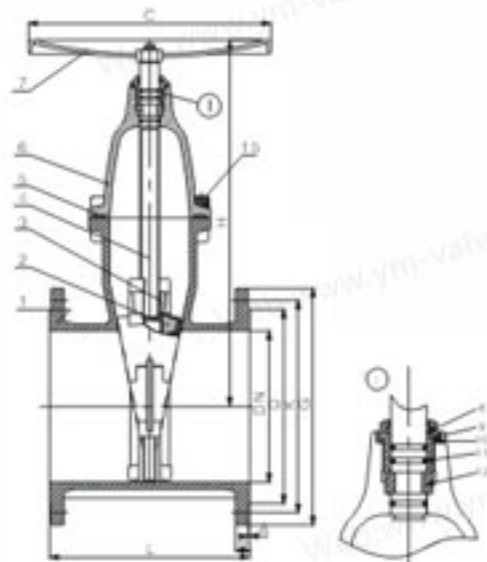
Electric Butterfly Valve



Design specification

Nominal pressure : PN10/PN16
Size range : 2" - 24"
Working medium : water,oil,gas
Working temp : $-46^{\circ}\text{C} \leq T \leq 425^{\circ}\text{C}$
Body : CI, DI, WCB, stainless steel
Disc : CI, DI, WCB, stainless steel
Seal : EPDM, PTFE, FPM, NBR, Rubber,
Alloy steel, stainless steel
Connection type : Wafer, Lug, Flange
Standard : API ,ANSI, ASME, DIN, BS,JIS

DIN3352-F4 Non-rising Stem Soft Seat Gate Valve

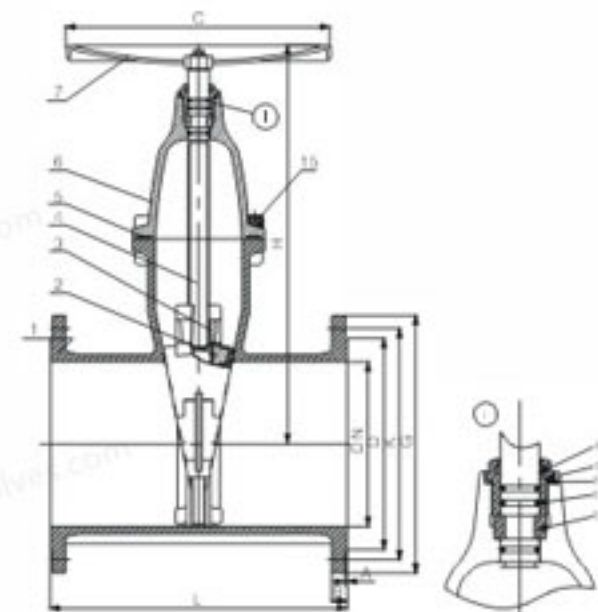


Design specification

Nominal pressure : PN10/PN16
Size range : DN40-DN600
Working medium : water,oil,gas
Working temp : 0°C≤T≤60°C

Body : Cast iron, Ductile iron
Disc : Ductile iron
Drive form : Handwheel, Electric Actuator,
Pneumatic Actuator

DIN3352-F5 Non-rising Stem Soft Seat Gate Valve

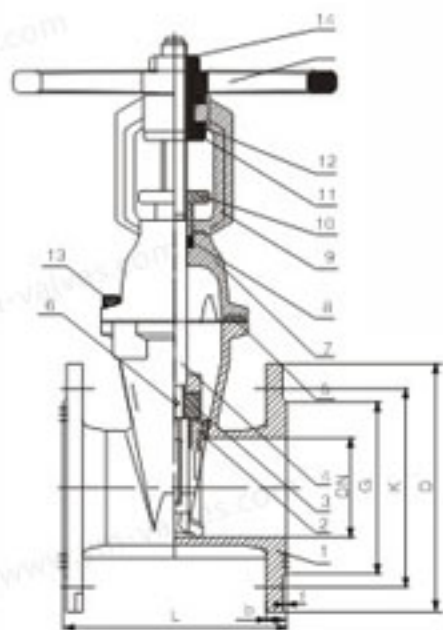


Design specification

Nominal pressure : PN10/PN16
Size range : DN50-DN300
Working medium : water,oil,gas
Working temp : 0°C≤T≤60°C

Body : Cast Iron , Ductile iron
Disc : Ductile
Drive form : Handwheel, Electric Actuator,
Pneumatic Actuator

DIN3352-F4 Rising Stem Soft Seat Gate Valve

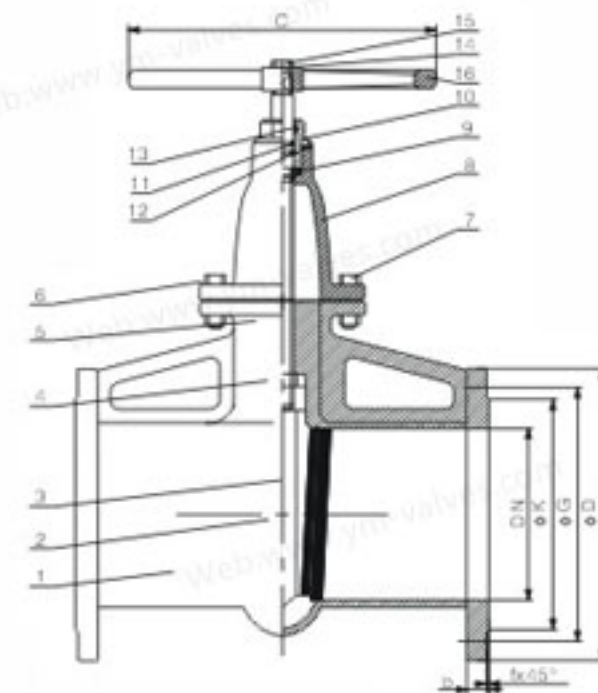


Design specification

Nominal pressure : PN10/PN16
Size range : DN40-DN400
Working medium : water,oil,gas
Working temp : 0°C≤T≤60°C

Body : Cast iron, Ductile iron
Disc : Ductile iron
Drive form : Handwheel, Electric Actuator,
Pneumatic Actuator

DIN3352-F5 Non-rising Stem Metal Seat Gate Valve

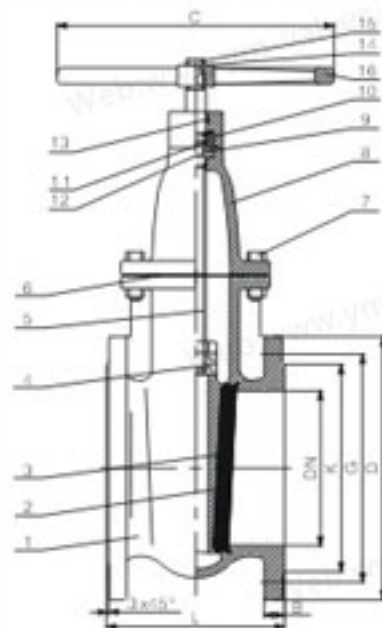


Design specification

Nominal pressure : PN10/PN16
Size range : DN50-DN300
Working medium : water,oil,gas
Working temp : 0°C≤T≤100°C

Body : Cast iron ,Ductile iron
Disc : Ductile iron
Drive form : Handwheel, Electric Actuator,
Pneumatic Actuator

DIN3352-F4 Non-rising Stem Metal Seat Gate Valve

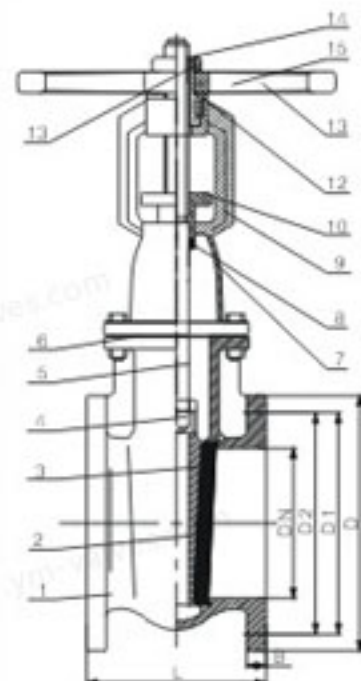


Design specification

Nominal pressure : PN10/PN16
Size range : DN40-DN300
Working medium : water,oil,gas
Working temp : 0°C≤T≤100°C

Body : Cast Iron, Ductile iron
Disc : Ductile iron
Drive form : Handwheel, Electric Actuator,
Pneumatic Actuator

DIN3352-F4 Rising Stem Metal Seat Gate Valve

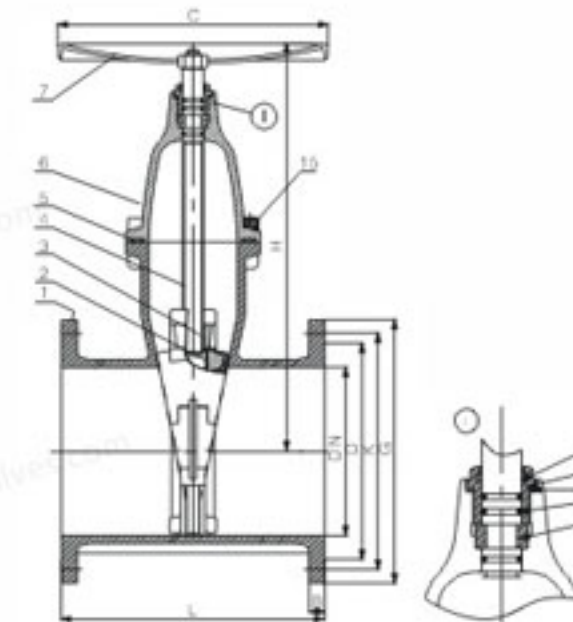


Design specification

Nominal pressure : PN10/PN16
Size range : DN40-DN300
Working medium : water,oil,gas
Working temp : 0°C≤T≤100°C

Body : Cast Iron, Ductile iron
Disc : Ductile iron
Drive form : Handwheel, Electric Actuator,
Pneumatic Actuator

ANSI Non-rising Stem Soft Seat Gate Valve

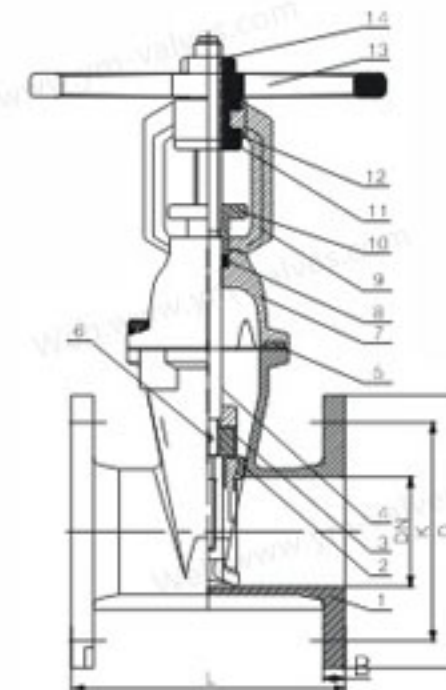


Design specification

Nominal pressure : Class150
Size range : 2" - 24"
Working medium : water,oil,gas
Working temp : 0°C≤T≤60°C

Body : Cast iron, Ductile iron
Disc : Ductile iron
Drive form : Handwheel, Electric Actuator,
Pneumatic Actuator

ANSI Rising Stem Soft Seat Gate Valve

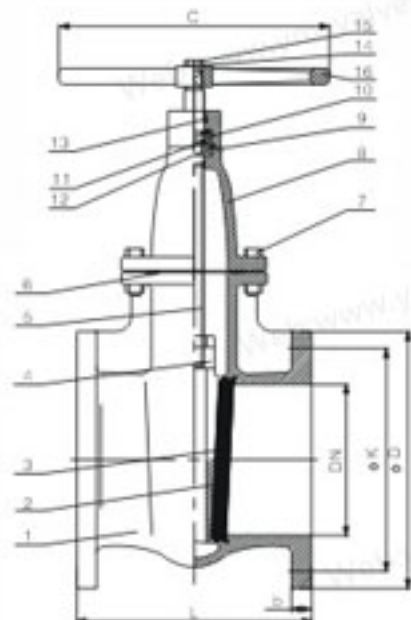


Design specification

Nominal pressure : Class150
Size range : 2" - 24"
Working medium : water,oil,gas
Working temp : 0°C≤T≤60°C

Body : Cast iron, Ductile iron
Disc : Ductile iron
Drive form : Handwheel, Electric Actuator,
Pneumatic Actuator

ANSI Non-rising Stem Metal Seat Gate Valve

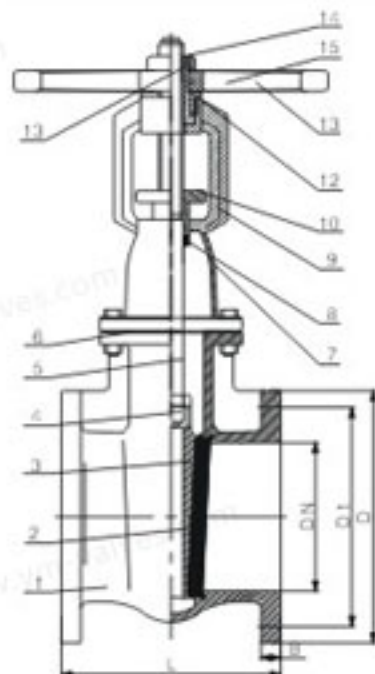


Design specification

Nominal pressure : Class150
Size range : 2"- 16"
Working medium : water,oil,gas
Working temp : 0°C≤T≤100°C

Body : Cast iron, Ductile iron
Disc : Ductile iron
Drive form : Handwheel, Electric Actuator,
Pneumatic Actuator

ANSI Rising Stem Metal Seat Gate Valve

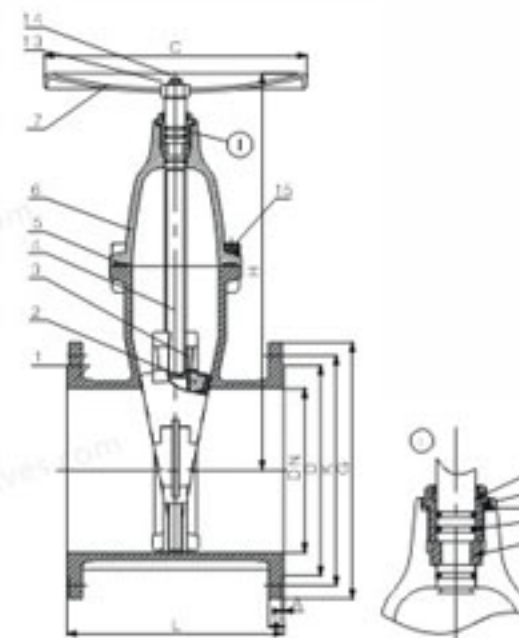


Design specification

Nominal pressure : Class150
Size range : 2"- 16"
Working medium : water,oil,gas
Working temp : 0°C≤T≤100°C

Body : Cast iron, Ductile iron
Disc : Ductile iron
Drive form : Handwheel, Electric Actuator,
Pneumatic Actuator

BS5163 Non-rising Stem Soft Seat Gate Valve

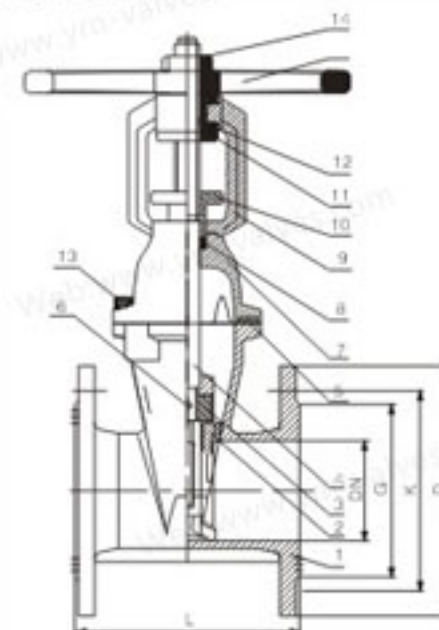


Design specification

Nominal pressure : PN10/PN16
Size range : DN40-DN600
Working medium : water,oil,gas
Working temp : 0°C≤T≤60°C

Body : Cast iron, Ductile iron
Disc : Ductile iron
Drive form : Handwheel, Electric Actuator,
Pneumatic Actuator

BS5163 Rising Stem Soft Seat Gate Valve

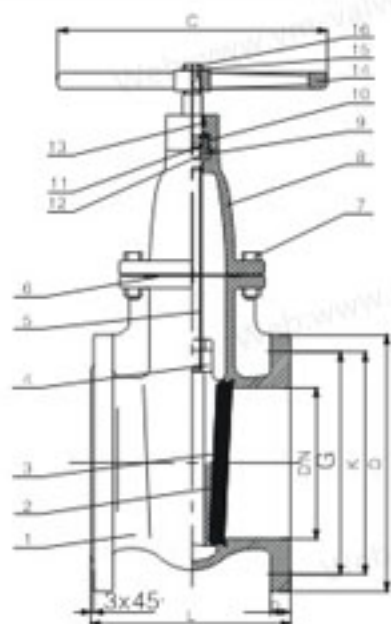


Design specification

Nominal pressure : PN10/PN16
Size range : DN40-DN600
Working medium : water,oil,gas
Working temp : 0°C≤T≤60°C

Body : Cast iron, Ductile iron
Disc : Ductile iron
Drive form : Handwheel, Electric Actuator,
Pneumatic Actuator

BS5163 Non-rising Stem Metal Seat Gate Valve

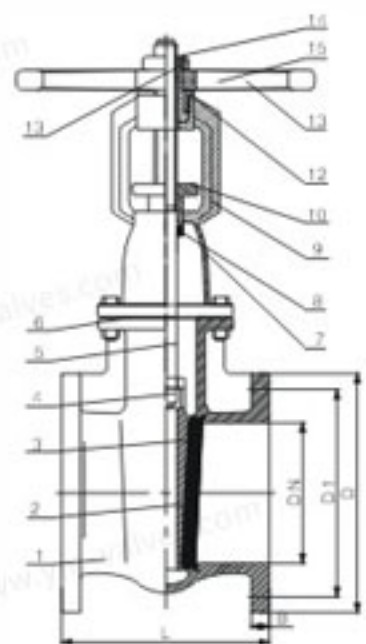


Design specification

Nominal pressure : PN10/PN16
Size range : DN40-DN400
Working medium : water,oil,gas
Working temp : $0^{\circ}\text{C} \leq T \leq 100^{\circ}\text{C}$

Body : Cast iron, Ductile iron
Disc : Ductile iron
Drive form : Handwheel, Electric Actuator,
Pneumatic Actuator

BS5163 Rising Stem Metal Seat Gate Valve

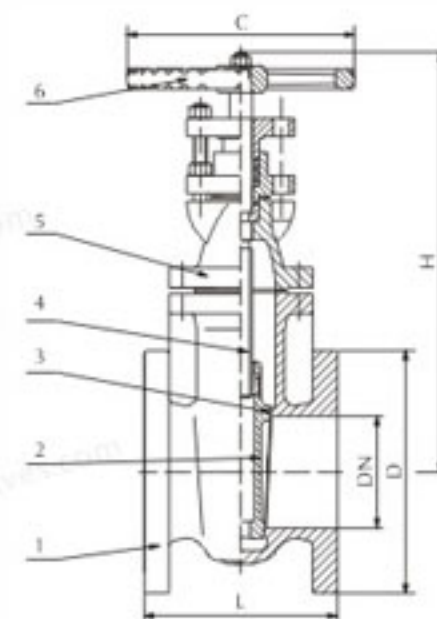


Design specification

Nominal pressure : PN10/PN16
Size range : DN40-DN400
Working medium : water,oil,gas
Working temp : $0^{\circ}\text{C} \leq T \leq 100^{\circ}\text{C}$

Body : Cast iron, Ductile iron
Disc : Ductile iron
Drive form : Handwheel, Electric Actuator,
Pneumatic Actuator

JIS Soft Seat Gate Valve

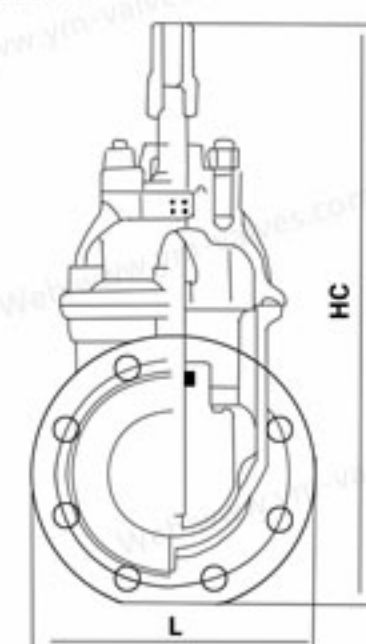


Design specification

Nominal pressure : 10k
Size range : 2" - 12"
Working medium : water,oil,gas
Working temp : $0^{\circ}\text{C} \leq T \leq 60^{\circ}\text{C}$

Body : Cast iron, Ductile iron
Disc : Ductile iron
Drive form : Handwheel, Electric Actuator,
Pneumatic Actuator

KIS Soft Seat Gate Valve

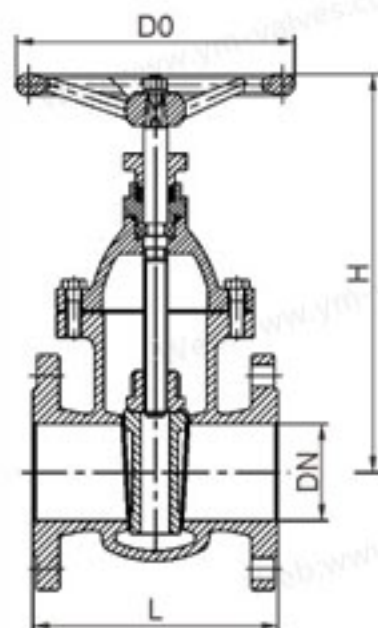


Design specification

Nominal pressure : PN16
Size range : 2" - 12"
Working medium : water,oil,gas
Working temp : $0^{\circ}\text{C} \leq T \leq 60^{\circ}\text{C}$

Body : Cast iron, Ductile iron
Disc : Ductile iron
Drive form : Handwheel, Electric Actuator,
Pneumatic Actuator

GB Non-rising Stem Soft Seat Gate Valve



Design specification

Nominal pressure : PN10/PN16

Size range : DN40- DN500

Working medium : water , oil, gas

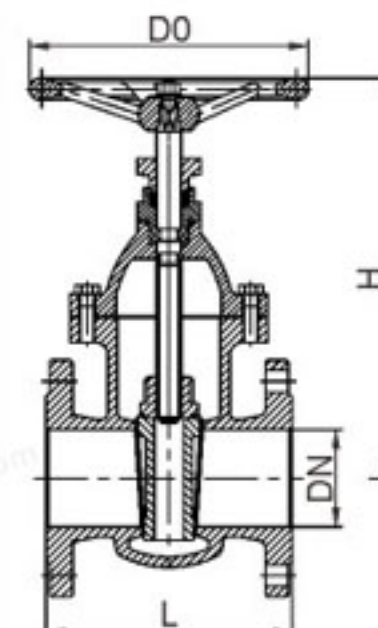
Working temp : $0^{\circ}\text{C} \leq T \leq 60^{\circ}\text{C}$

Body : Cast iron, Ductile iron

Disc : Ductile iron

Drive form : Handwheel, Electric Actuator,
Pneumatic Actuator

GB Non-rising Stem Metal Seat Gate Valve



Design specification

Nominal pressure : PN10/PN16

Size range : DN50- DN500

Working medium : water

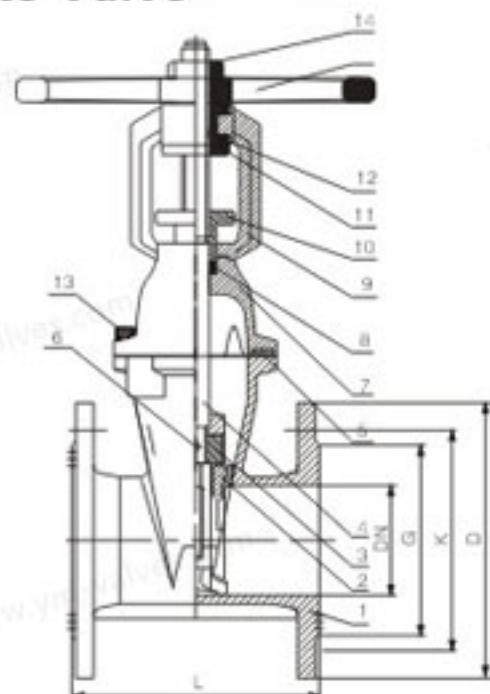
Working temp : $0^{\circ}\text{C} \leq T \leq 100^{\circ}\text{C}$

Body : Cast iron, Ductile iron

Disc : Ductile iron

Drive form : Handwheel, Electric Actuator,
Pneumatic Actuator

GB Rising Stem Soft Seat Gate Valve



Design specification

Nominal pressure : PN10/PN16

Size range : DN40- DN400

Working medium : water

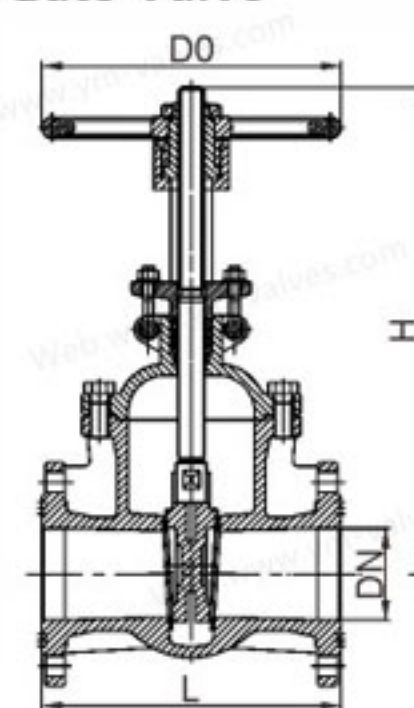
Working temp : $0^{\circ}\text{C} \leq T \leq 60^{\circ}\text{C}$

Body : Cast iron, Ductile iron

Disc : Ductile iron

Drive form : Handwheel, Electric Actuator,
Pneumatic Actuator

GB Rising Stem Metal Seat Gate Valve



Design specification

Nominal pressure : PN10/PN16

Size range : DN50- DN500

Working medium : water

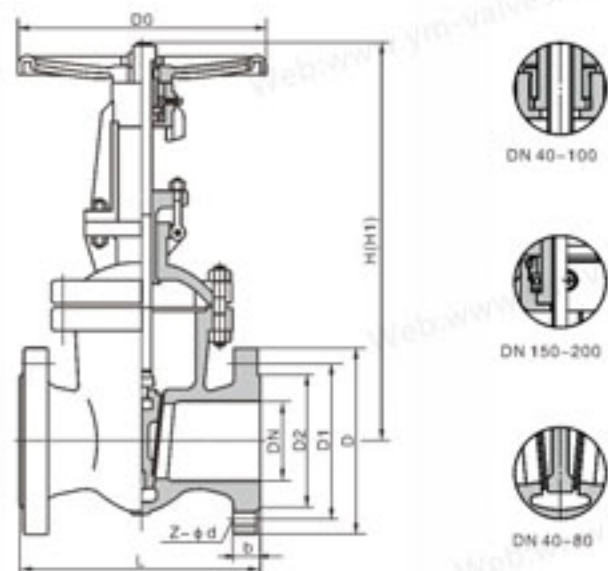
Working temp : $0^{\circ}\text{C} \leq T \leq 100^{\circ}\text{C}$

Body : Cast iron, Ductile iron

Disc : Ductile iron

Drive form : Handwheel, Electric Actuator,
Pneumatic Actuator

GB Cast Steel / Stainless Steel Gate Valve

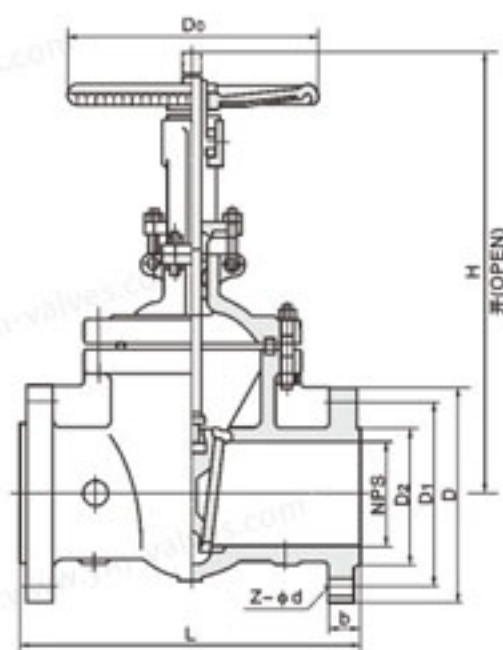


Design specification

Nominal pressure : PN16/PN25/PN40
Size range : DN15-DN600
Working medium : water,oil,gas
Working temp : $0^{\circ}\text{C} \leq T \leq 425^{\circ}\text{C}$

Body: WCB, stainless steel
Disc : DI, stainless steel
Drive form : Handwheel, Electric Actuator,
Pneumatic Actuator

API Cast Steel / Stainless Steel Gate Valve

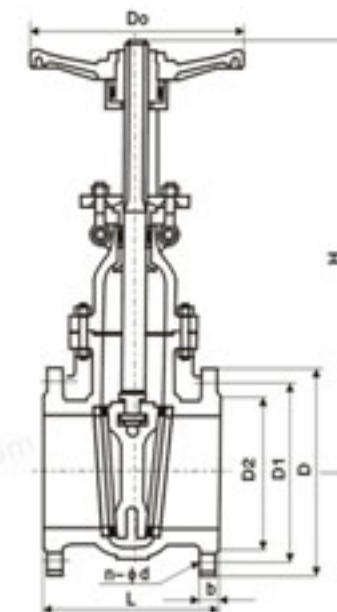


Design specification

Nominal pressure : PN16
Size range : DN15-DN600
Working medium : water,oil,gas
Working temp : $0^{\circ}\text{C} \leq T \leq 425^{\circ}\text{C}$

Body: WCB, stainless steel
Disc : DI, stainless steel
Drive form : Handwheel, Electric Actuator,
Pneumatic Actuator

JIS Cast Steel / Stainless Steel Gate Valve

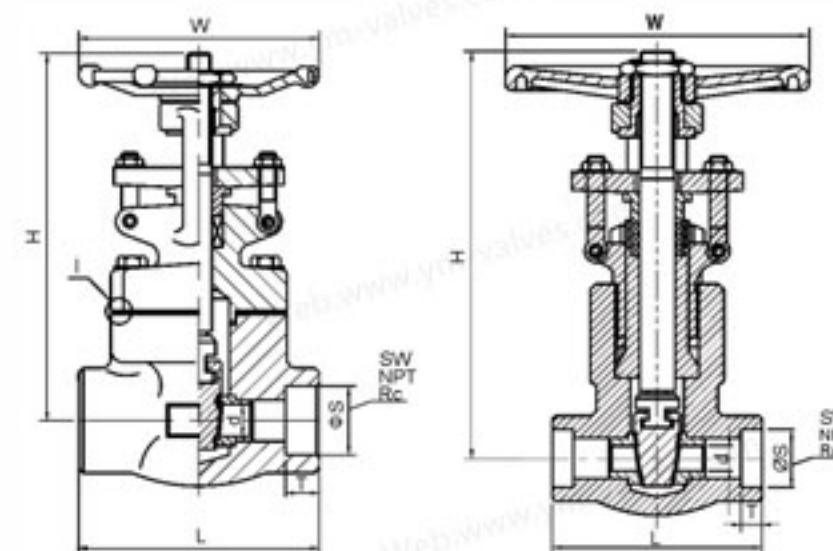


Design specification

Nominal pressure : 10K
Size range : DN50- DN450
Working medium : water,oil,gas
Working temp : $0^{\circ}\text{C} \leq T \leq 120^{\circ}\text{C}$

Body : WCB, stainless steel
Disc : DI, stainless steel
Drive form : Handwheel, Electric Actuator,
Pneumatic Actuator

Forging Gate Valve

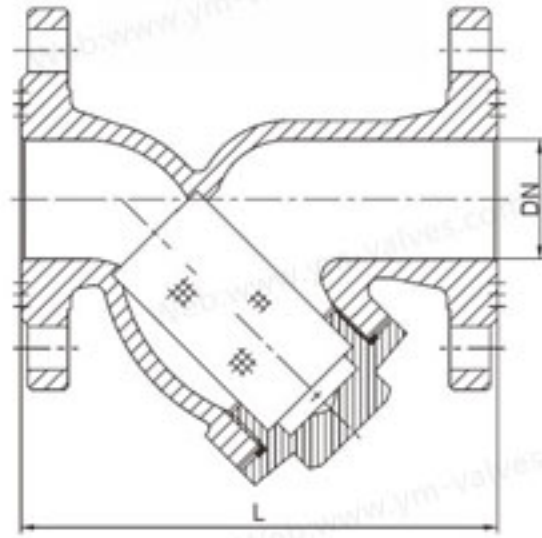


Design specification

Nominal pressure : PN16-PN100
Size range : DN15-DN32
Working medium : water,oil,gas
Working temp : $-29^{\circ}\text{C} \leq T \leq 425^{\circ}\text{C}$

Body : Forged steel
Disc : steel
Drive form : Handwheel, Electric Actuator,
Pneumatic Actuator

GB/ API /DIN/ BS/ JIS Iron Y Strainer



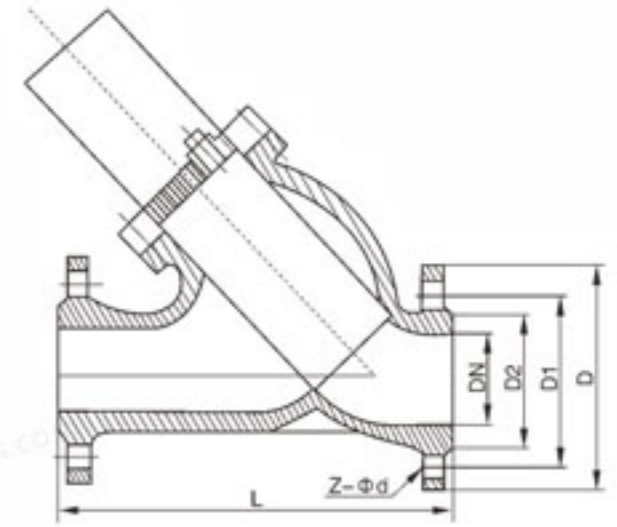
Design specification

Nominal pressure : PN10/PN16 ,Class150
 Size range : DN15-DN400
 Working medium : water
 Working temp : 0°C~200°C

Standard:GB,API,DIN,BS,JIS
 Body: Cast iron, Ductile iron
 Screen : Stainless Steel
 Connection type : Flange



GB/ API/ DIN/ BS/ JIS Steel Y Strainer



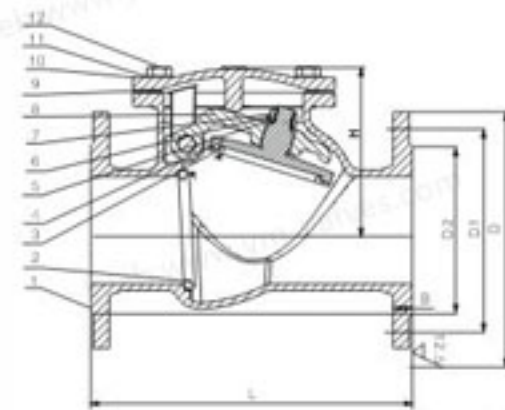
Design specification

Nominal pressure : PN16
 Size range : DN15-DN300
 Working medium : water,
 Working temp : 0°C~200°C

Standard:GB,API,DIN,BA,JIS
 Body:Carbon steel ,Stainless steel
 Screen : Stainless Steel
 Connection type : Flange



Iron Swing Check Valve

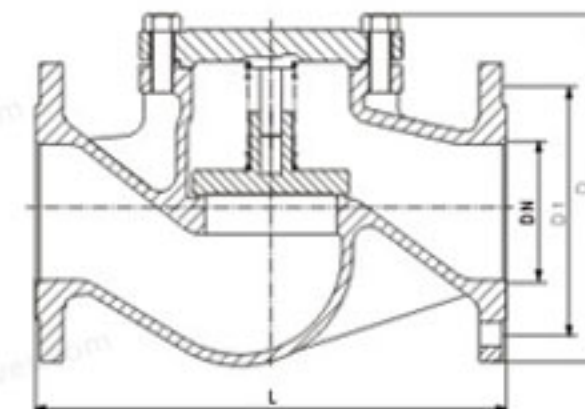


Design specification

Nominal pressure : PN10/PN16,Class150
Size range : DN50-DN300
Working medium : water,oil
Working temp : Brass seal: $0^{\circ}\text{C} \leq T \leq 200^{\circ}\text{C}$
NBR seal: $0^{\circ}\text{C} \leq T \leq 80^{\circ}\text{C}$

Standard:GB, DIN, ANSI, BS
Body : Cast iron ,Ductile iron
Disc: Ductile iron
Seal : Brass/NBR
Connection type : Flange

Lift Check Valve

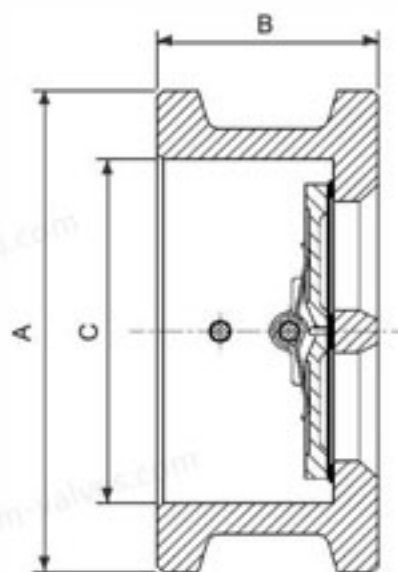


Design specification

Nominal pressure : PN16
Size range : DN15-DN200
Working medium : water,
Working temp : $0^{\circ}\text{C} \sim 80^{\circ}\text{C}$

Standard:GB,,DIN
Body:Carbon steel ,Stainless steel
Disc : Ductile iron
Connection type : Flange

Double plate wafer type Check Valve

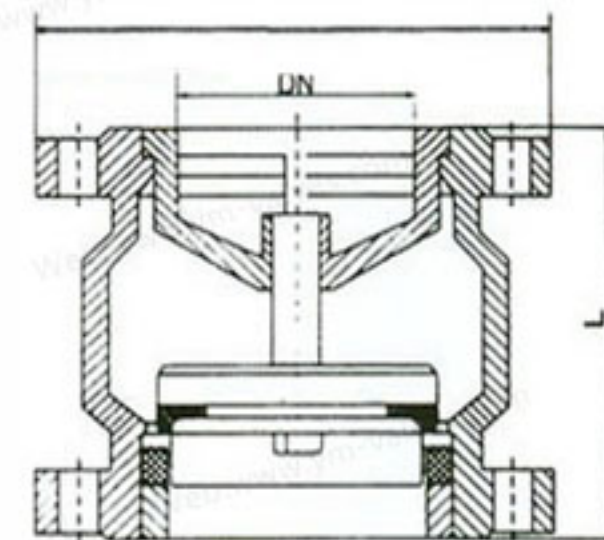


Design specification

Nominal pressure : PN16-PN40
Size range : DN50-DN350
Working medium : water,oil,gas
Working temp : $-29^{\circ}\text{C} \leq T \leq 425^{\circ}\text{C}$

Standard : GB,API, DIN,BS ,JIS
Body: CI ,DI ,WCB ,Stainless steel
Disc : Stainless Steel
Connection type : Wafer

GB Flange type Silencing Check Valve

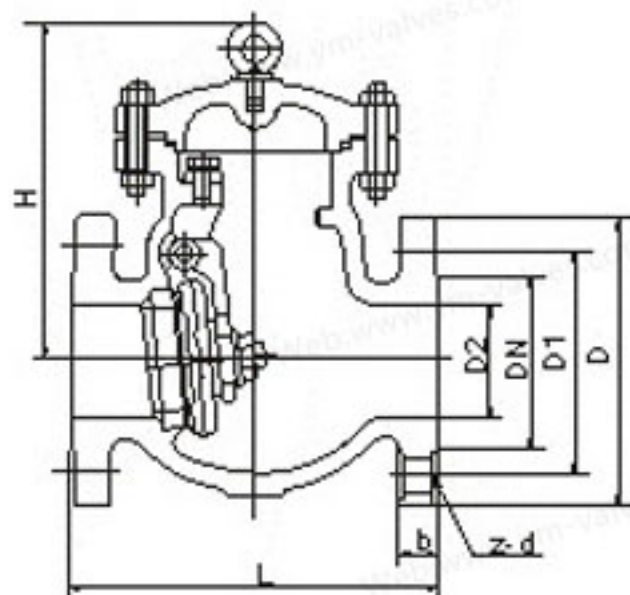


Design specification

Nominal pressure : PN16
Size range : DN40-DN350
Working medium : water
Working temp : $0^{\circ}\text{C} \leq T \leq 80^{\circ}\text{C}$

Body: Cast iron,Dcutile iron
Disc: Stainless steel
Spring : Stainless steel
Connection type : Flange

Steel Swing Check Valve

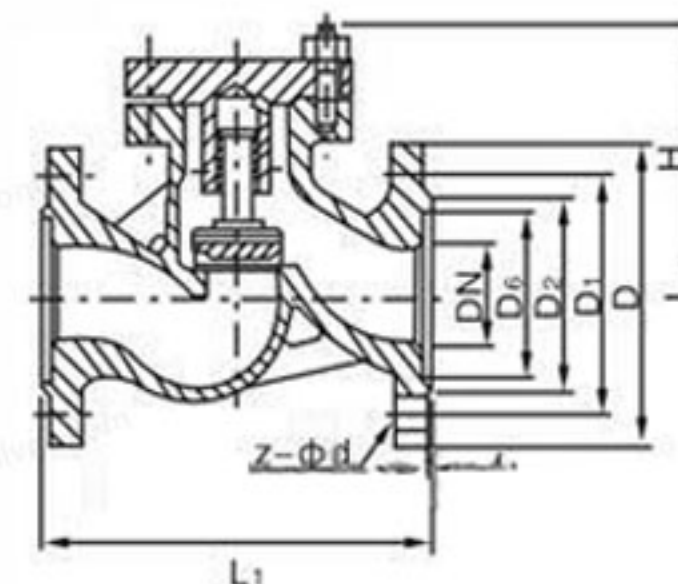


Design specification

Nominal pressure : Class150
Size range : 2" -20"
Working medium : water,oil,gas
Working temperature : $-29^{\circ}\text{C} \leq T \leq 425^{\circ}\text{C}$

Standard:GB/API/DIN/JIS
Body: Cast steel/WCB/Stainless steel
Disc: WCB/Stainless steel
Connection type : Flange

Steel Lift Check Valve

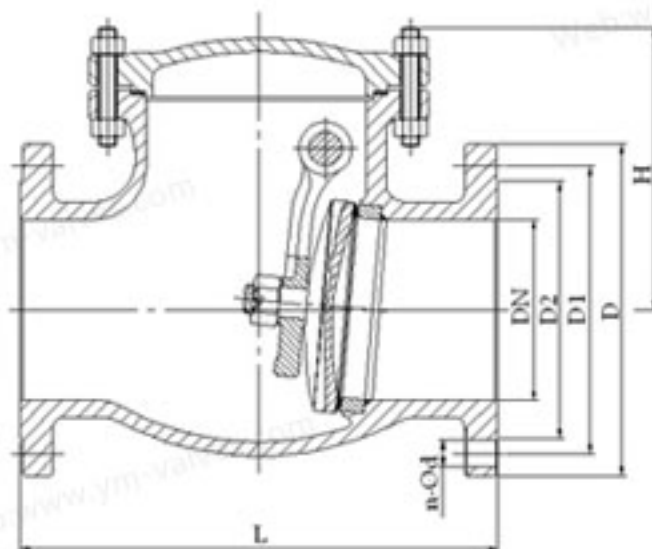


Design specification

Nominal pressure : Class150
Size range : 2" -8"
Working medium : water,oil,gas
Working temperature : $-29^{\circ}\text{C} \leq T \leq 425^{\circ}\text{C}$

Standard:GB/DIN
Body: Cast steel/WCB/Stainless steel
Disc: WCB/Stainless steel
Connection type : Flange

ANSI Stainless Steel Swing Check Valve

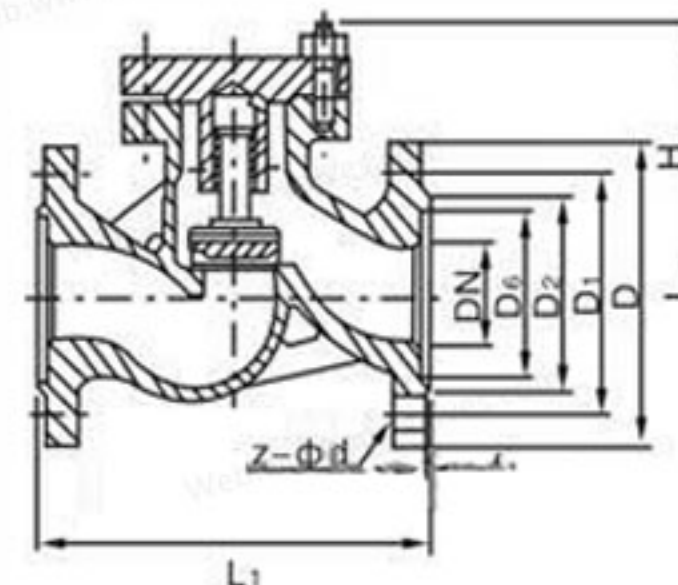


Design specification

Nominal pressure : Class150-Class2500
Size range : 2" -20"
Working medium : water,oil,gas
Working temperature : $-40^{\circ}\text{C} \leq T \leq 450^{\circ}\text{C}$

Body: Cast steel/WCB
Disc: Stainless steel
Seat : Stainless steel
Connection type : Flange

ANSI Stainless Steel Lift Check Valve

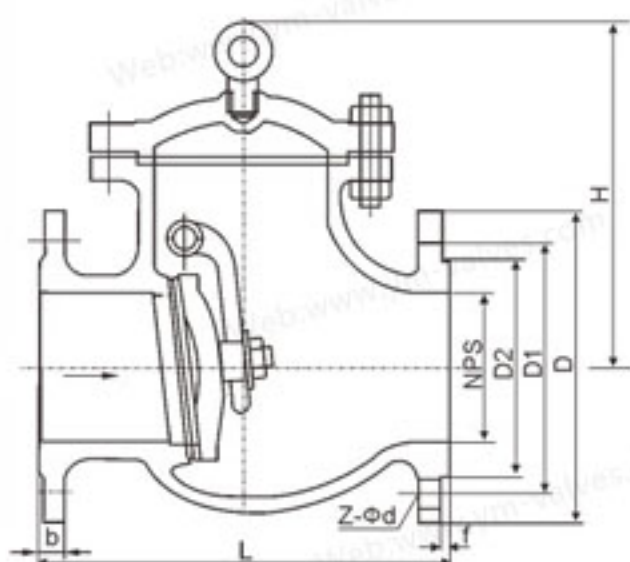


Design specification

Nominal pressure : Class150
Size range : 2" -8"
Working medium : water,oil,gas
Working temperature : $-40^{\circ}\text{C} \leq T \leq 425^{\circ}\text{C}$

Body: Cast steel/WCB
Disc: Stainless steel
Seat : Stainless steel
Connection type : Flange

GB Cast Iron Swing Check Valve

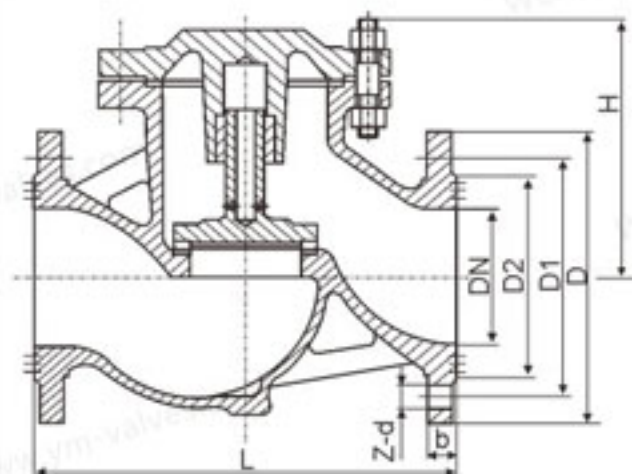


Design specification

Nominal pressure : PN10/PN16
Size range : DN40-DN500
Working medium : water,air
Working temp : $0^{\circ}\text{C} \leq T \leq 100^{\circ}\text{C}$

Body: CI , DI
Seal : Brass ,Rubber
Connection type : Flange

GB Cast Iron Lift Check Valve

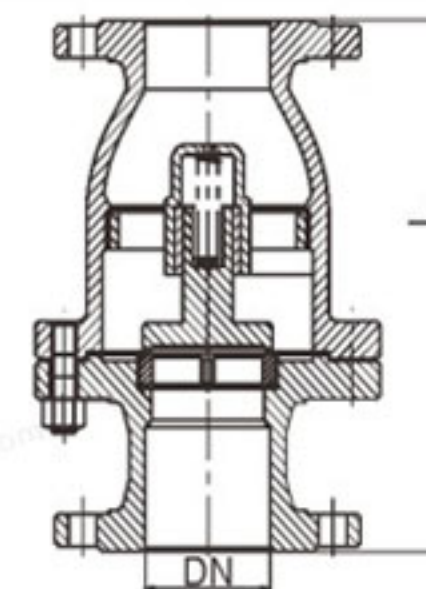


Design specification

Nominal pressure : PN10/PN16
Size range : DN20-DN200
Working medium : water,oil,gas
Working temp : $0^{\circ}\text{C} \leq T \leq 200^{\circ}\text{C}$

Body: CI , DI
Seal : Brass ,Rubber
Connection type : Flange

GB Cast Iron Vertical Lift Check Valve

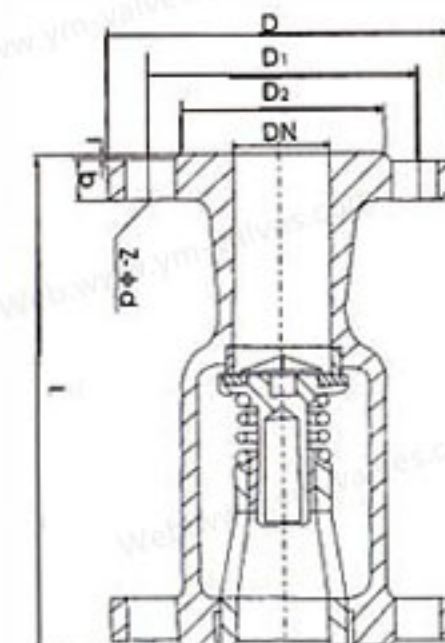


Design specification

Nominal pressure : PN16/PN25
Size range : DN40-DN200
Working medium : water,oil,gas
Working temperature : $0^{\circ}\text{C} \leq T \leq 200^{\circ}\text{C}$

Body: CI , DI
Disc : 2Cr13
Seat : 2Cr13
Connection type : Flange

GB Cast Iron Vertical horizontal check valve

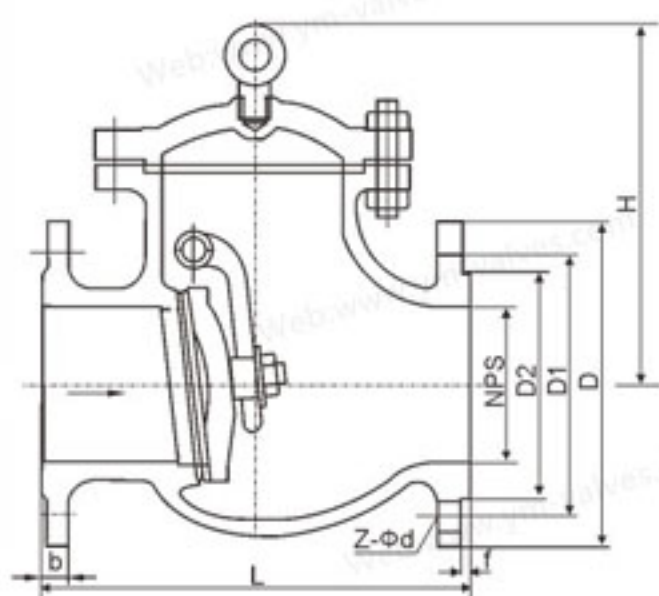


Design specification

Nominal pressure : PN16/PN25
Size range : DN25-DN100
Working medium : water,oil,gas
Working temperature : $0^{\circ}\text{C} \leq T \leq 200^{\circ}\text{C}$

Body: CI , DI
Disc : Stainless steel
Seat : Stainless steel
Connection type : Flange

GB Cast Steel Swing Check Valve

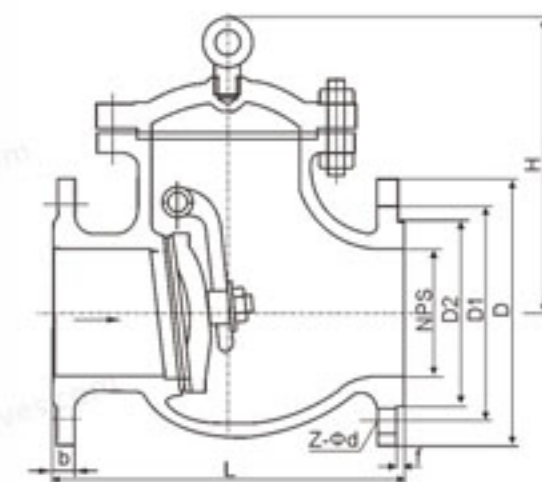


Design specification

Nominal pressure : PN16-PN64
Size range : DN40-DN400
Working medium : water,oil
Working temp : $0^{\circ}\text{C} \leq T \leq 425^{\circ}\text{C}$

Body: WCB
Disc : 2Cr13
Seat : 2Cr13
Connection type : Flange

GB Stainless Steel Swing Check Valve

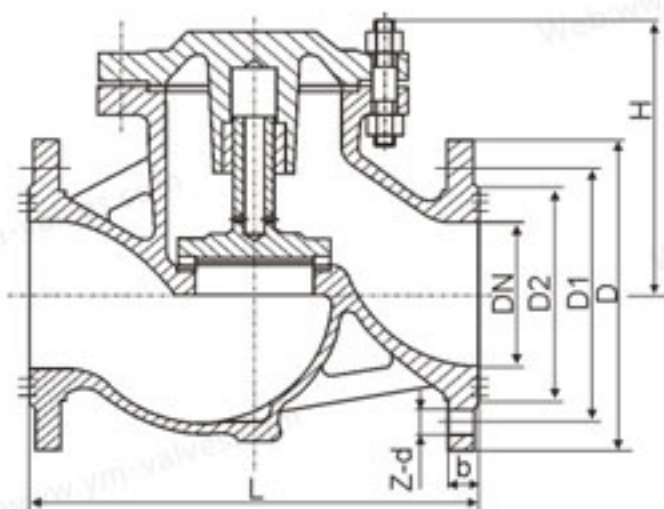


Design specification

Nominal pressure : PN16-PN64
Size range : DN40-DN500
Working medium : water,oil
Working temp : $-28^{\circ}\text{C} \leq T \leq 300^{\circ}\text{C}$

Body: Stainless steel
Disc : Stainless Steel
Connection type : Flange

GB Cast Steel Lift Check Valve

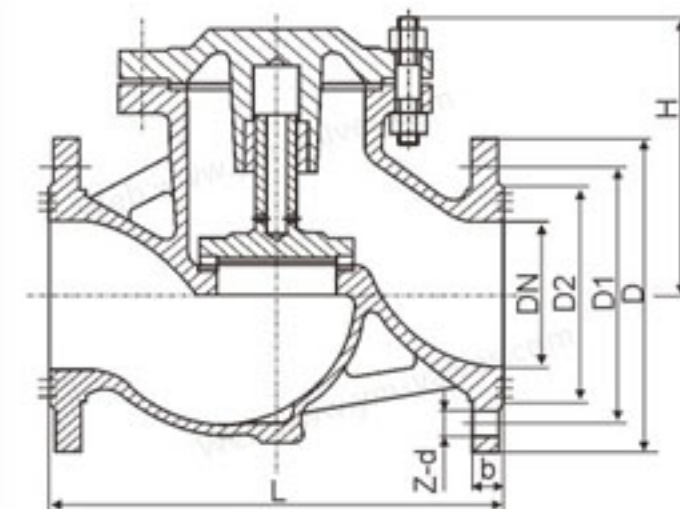


Design specification

Nominal pressure : PN16-PN64
Size range : DN15-DN200
Working medium : water,oil
Working temp : $0^{\circ}\text{C} \leq T \leq 425^{\circ}\text{C}$

Body: WCB
Disc : 2Cr13
Seat : 2Cr13
Connection type : Flange

GB Stainless Steel Lift Check Valve

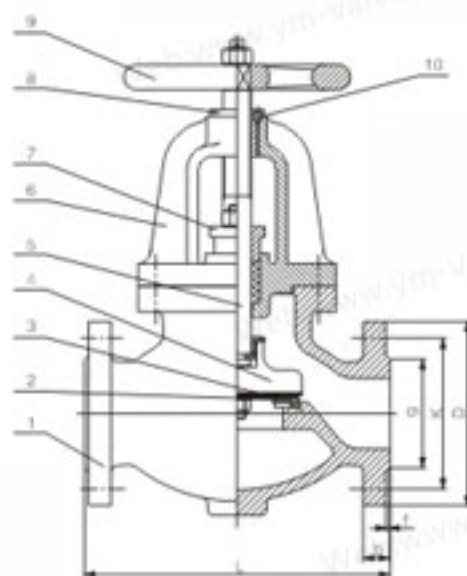


Design specification

Nominal pressure : PN16-PN25
Size range : DN15-DN200
Working medium : water,oil
Working temp : $0^{\circ}\text{C} \leq T \leq 425^{\circ}\text{C}$

Body: Stainless steel
Disc : Stainless Steel
Connection type : Flange

DIN / BS / JIS / API Iron Globe Valve

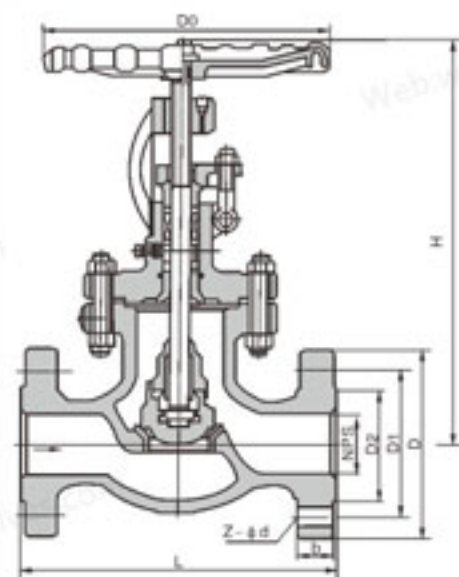


Design specification

Nominal pressure : PN10/PN16
Size range : DN40-DN300
Working medium : water,oil,gas
Working temp : $0^{\circ}\text{C} \leq T \leq 80^{\circ}\text{C}$

Standard:DIN ,BS ,JIS ,API
Body : Cast iron, Ductile iron
Disc : Ductile iron
Drive form : Handwheel, Electric Actuator,
Pneumatic Actuator

ANSI Cast Steel / Stainless Steel Globe Valve

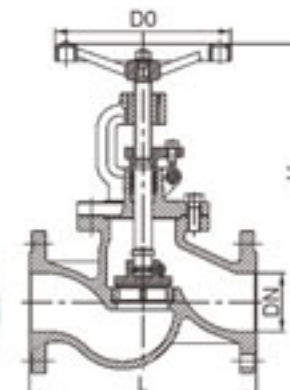
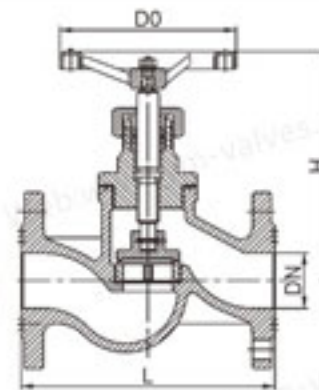


Design specification

Nominal pressure : Class150-Class2500
Size range : 1/2" - 8"
Working medium : CS:water,oil,gas
SS:acid ,water
Working temp : CS: $0^{\circ}\text{C} \leq T \leq 425^{\circ}\text{C}$

Body : WCB, Stainless steel
Disc : 13cr,Stainless steel
Drive form : Handwheel, Electric Actuator,
Pneumatic Actuator
SS: $0^{\circ}\text{C} \leq T \leq 600^{\circ}\text{C}$

GB Iron Globe Valve

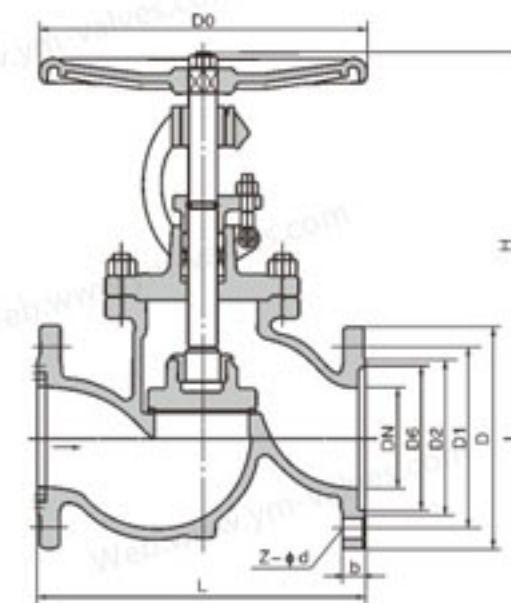


Design specification

Nominal pressure : PN16
Size range : DN20-DN300
Working medium : water
Working temp : $0^{\circ}\text{C} \leq T \leq 100^{\circ}\text{C}$

Body : Cast iron, Ductile iron
Seal : Brass,Stainless steel
Drive form : Handwheel, Electric Actuator,
Pneumatic Actuator

GB Cast Steel Globe Valve

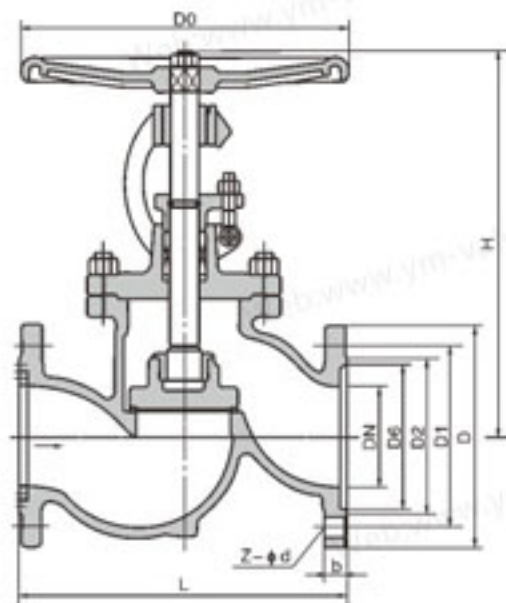


Design specification

Nominal pressure : PN16
Size range : DN15-DN400
Working medium : water,oil,gas
Working temp : $0^{\circ}\text{C} \leq T \leq 200^{\circ}\text{C}$

Body : WCB
Seal : Stainless steel
Drive form : Handwheel, Electric Actuator,
Pneumatic Actuator

GB Stainless Steel Globe Valve

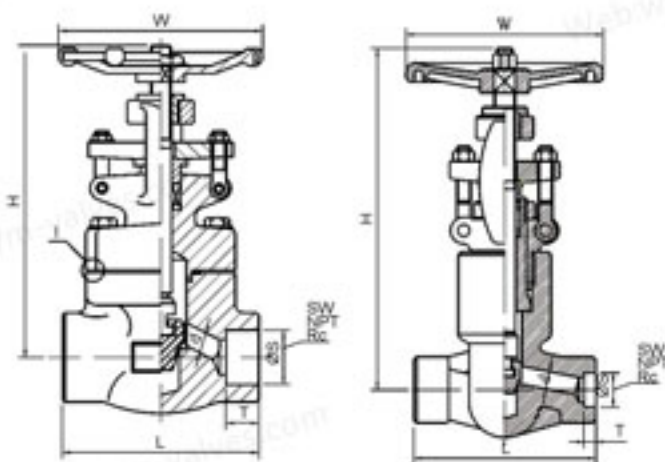


Design specification

Nominal pressure : PN16
Size range : DN15-DN400
Working medium : water, Acid
Working temp : $0^{\circ}\text{C} \leq T \leq 200^{\circ}\text{C}$

Body : Stainless steel
Disc : Stainless steel
Drive form : Handwheel, Electric Actuator,
Pneumatic Actuator

Forging Threaded Globe Valve

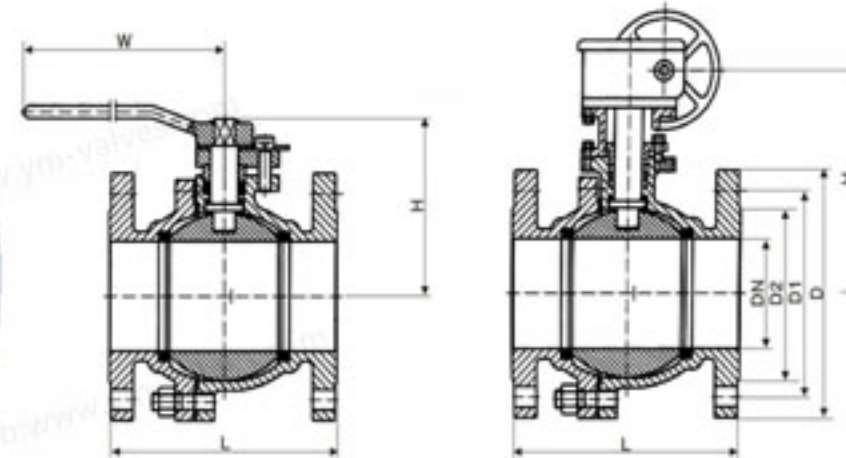


Design specification

Nominal pressure : Class150
Size range : $1/2'' - 4''$
Working medium : water, oil, gas
Working temp : $0^{\circ}\text{C} \leq T \leq 450^{\circ}\text{C}$

Body : A105/A105N
Disc : Steel
Drive form : Handwheel, Electric Actuator,
Pneumatic Actuator

ANSI Cast Steel / Stainless Steel Floating Type Ball Valve

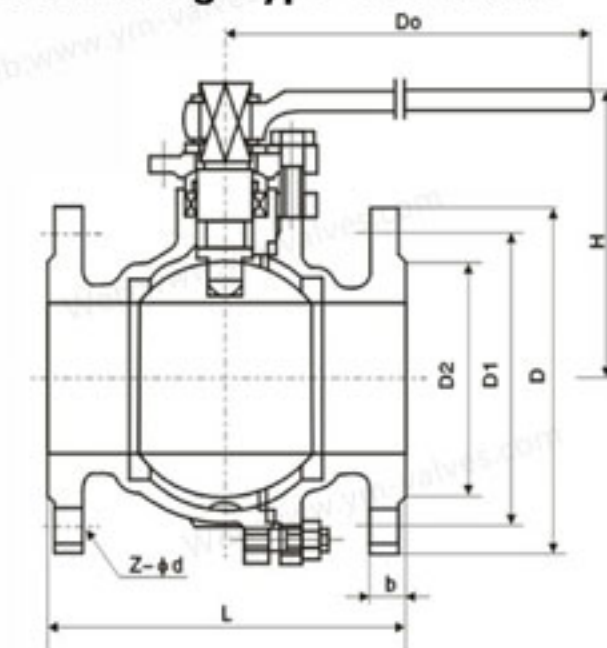


Design specification

Nominal pressure : Class150/Class300
Size range : $1/2'' - 10''$
Working medium : water, oil, gas
Working temp : $0^{\circ}\text{C} \leq T \leq 425^{\circ}\text{C}$

Body : Cast steel/WCB/ stainless steel
Ball : stainless steel
Drive form : Handwheel, Electric Actuator,
Pneumatic Actuator

JIS Cast Steel / Stainless Steel Floating Type Ball Valve

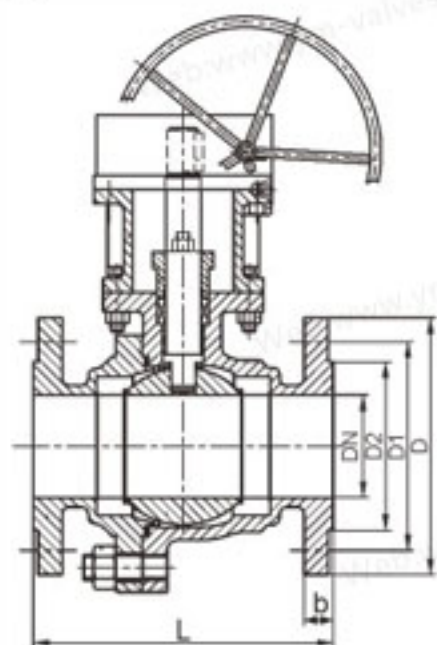


Design specification

Nominal pressure : 10K
Size range : $1/2'' - 10''$
Working medium : water, oil, gas
Working temp : $0^{\circ}\text{C} \leq T \leq 425^{\circ}\text{C}$

Body : Cast steel/WCB/ stainless steel
Ball : stainless steel
Drive form : Handwheel, Electric Actuator,
Pneumatic Actuator

GB Cast Steel Floating Type Ball Valve

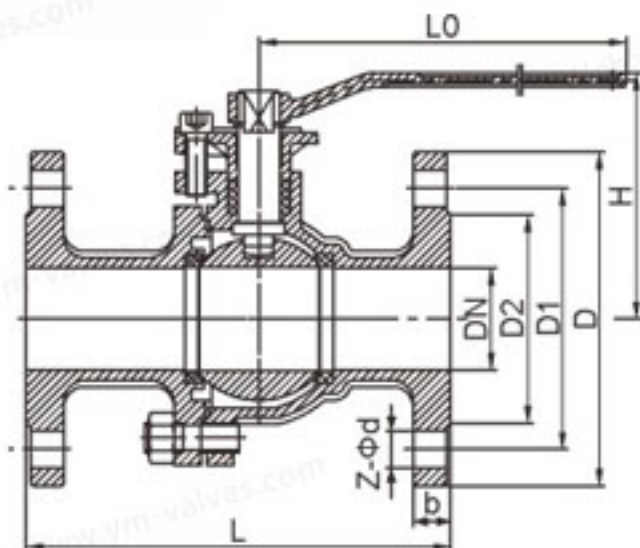


Design specification

Nominal pressure : PN16-PN64
Size range : DN15-DN250
Working medium : water,oil,gas
Working temp : $-29^{\circ}\text{C} \leq T \leq 200^{\circ}\text{C}$

Body : Cast steel/WCB
Ball : stainless steel
Drive form : Handwheel, Electric Actuator, Pneumatic Actuator

GB Stainless Steel Floating Type Ball Valve

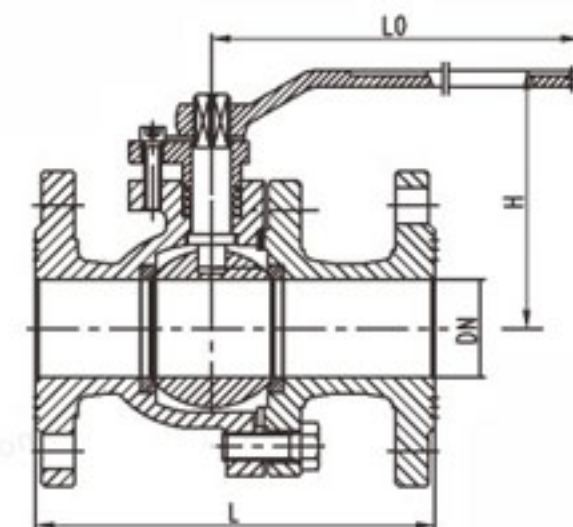


Design specification

Nominal pressure : PN16-PN64
Size range : DN15-DN250
Working medium : acid,Water
Working temp : $0^{\circ}\text{C} \leq T \leq 200^{\circ}\text{C}$

Body : stainless steel
Ball : stainless steel
Drive form : Handwheel, Electric Actuator, Pneumatic Actuator

GB Iron Floating Type Ball Valve

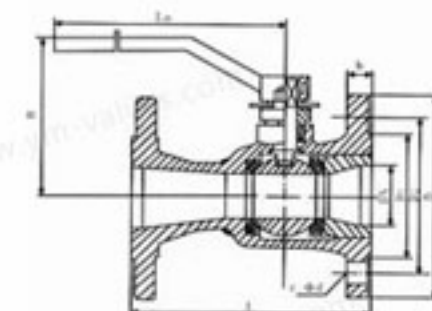


Design specification

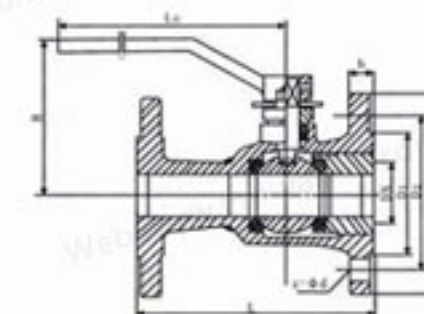
Nominal pressure : PN16-PN40
Size range : DN15-DN300
Working medium : water,oil,gas
Working temp : $-10^{\circ}\text{C} \leq T \leq 200^{\circ}\text{C}$

Body : Cast iron,Ductile iron
Ball : stainless steel
Drive form : Handwheel, Electric Actuator, Pneumatic Actuator

Ball Valve(一体式高温球阀)



缩径型 DN40 ~ 200



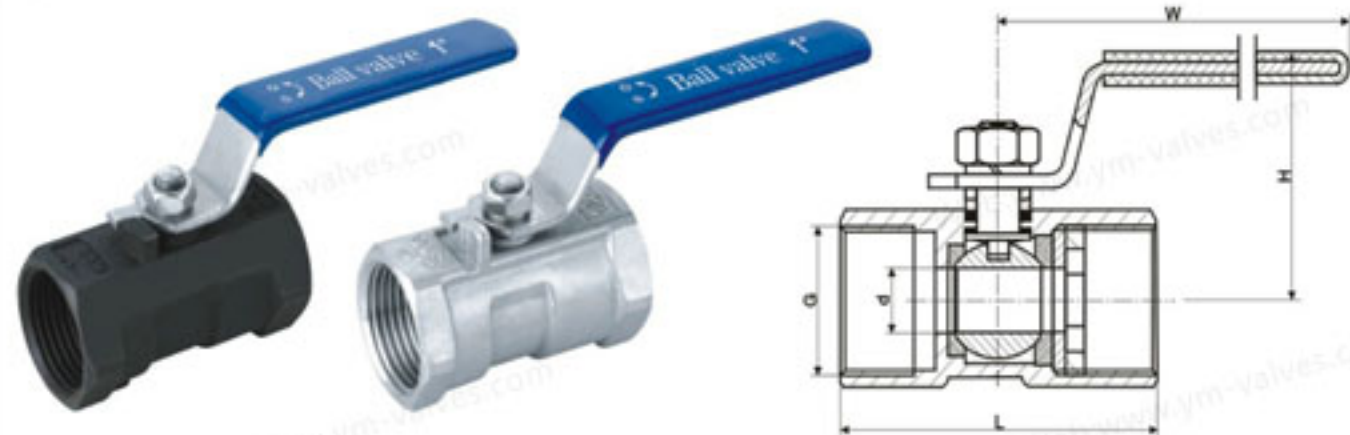
全通径型 DN15 ~ 50

Design specification

Nominal pressure : PN10/PN16
Size range : DN15-DN250
Working medium : water,oil,gas
Working temp : $-20^{\circ}\text{C} \leq T \leq 300^{\circ}\text{C}$

Body : Cast iron, Ductile iron,WCB,SS
Ball : Stainless steel
Drive form : Handwheel, Electric Actuator, Pneumatic Actuator

1PC Threaded End Ball Valve



Design specification

Nominal pressure : PN10/PN16

Size range : 1/4" -4" (DN6-DN100)

Working medium : water

Working temp : 0°C ≤ T ≤ 100°C

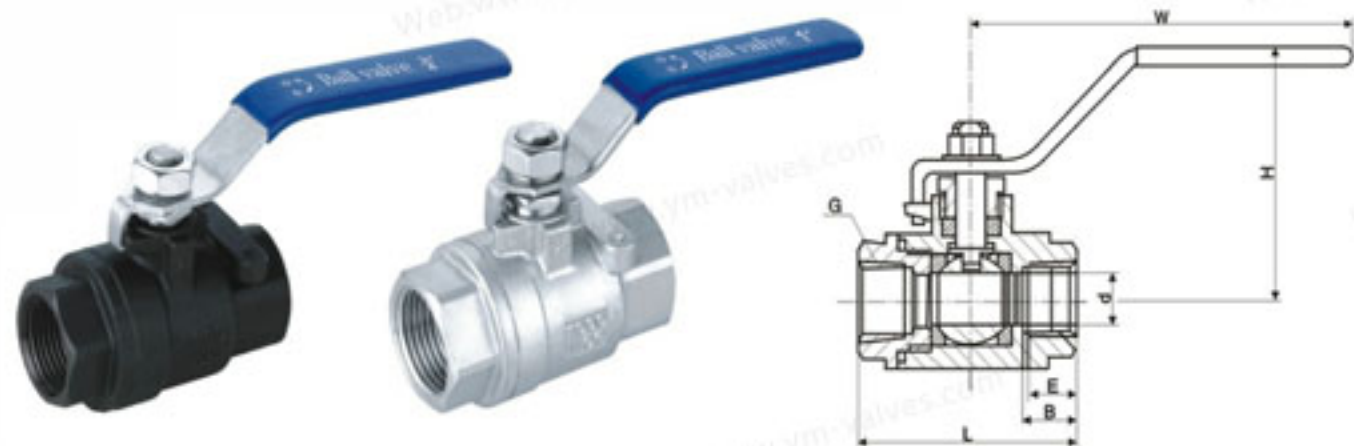
Body : WCB, Stainless steel

Ball : Stainless steel

Threaded type:BSPT,BSP,NPT

Drive form : Handwheel, Electric Actuator,
Pneumatic Actuator

2PC Threaded End Ball Valve



Design specification

Nominal pressure : PN10/PN16

Size range : 1/4" -4" (DN6-DN100)

Working medium : water

Working temp : 0°C ≤ T ≤ 100°C

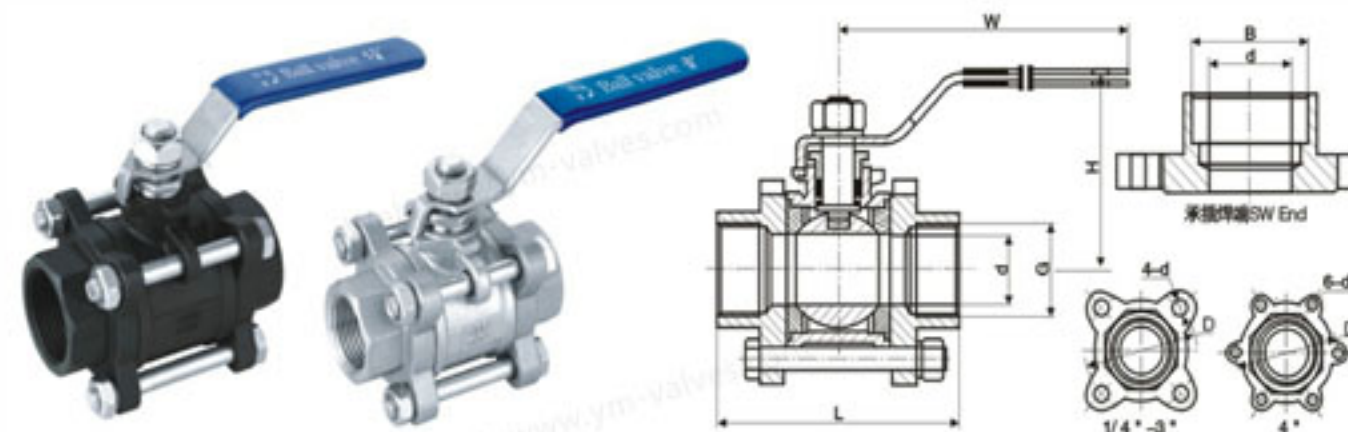
Body : WCB, Stainless steel

Ball : Stainless steel

Threaded type:BSPT,BSP,NPT

Drive form : Handwheel, Electric Actuator,
Pneumatic Actuator

3PC Threaded End Ball Valve



Design specification

Nominal pressure : PN10/PN16

Size range : 1/4" -4" (DN6-DN100)

Working medium : water

Working temp : 0°C ≤ T ≤ 100°C

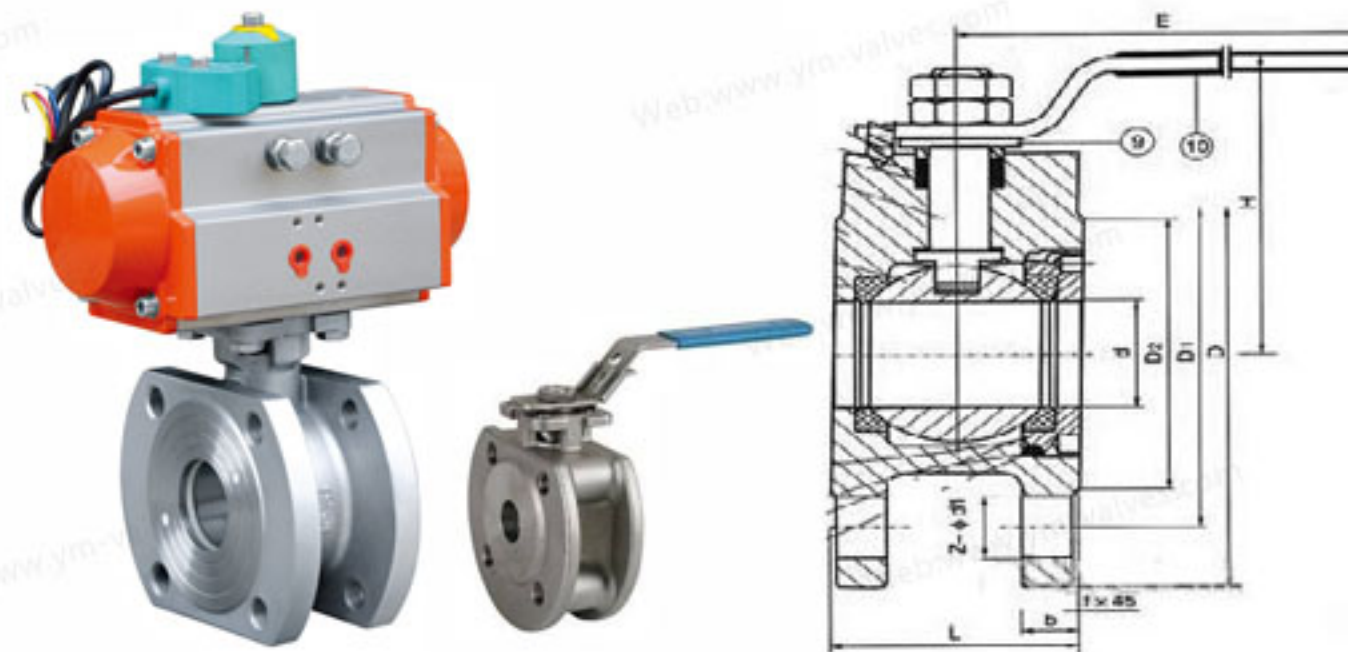
Body : WCB, Stainless steel

Ball : Stainless steel

Threaded type:BSPT,BSP,NPT

Drive form : Handwheel, Electric Actuator,
Pneumatic Actuator

Wafer Ball Valve



Design specification

Nominal pressure : PN16/PN25

Size range : DN15-DN250

Working medium : water

Working temp : -20°C ≤ T ≤ 200°C

Body: WCB, stainless steel

Ball : stainless steel

Drive form : Lever, Electric Actuator,
Pneumatic Actuator

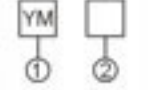
Safety Valve

Introduction

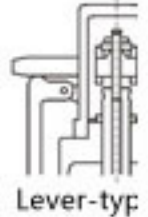
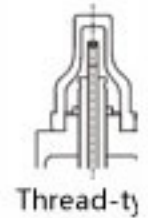
Safety valve protection device, when the medium pressure exceeds allowable values, safety valve automatically opens, then the whole amount of emissions, prevent pressure continued to rise. When the pressure drops to a specified value, the safety valve automatically closed timely.

The code of safety valve

The code of safety valve in according with JB/T308 ,As following eight part.



- 1-YuMing
- 3-Type C
- 5-Struct
- 7-Normir



Safety Valve

Introduction of the safety valve

Safety valve is under pressure equipment, containers, and the pipe line of best over pressure protection device, when the medium pressure exceeds allowable values, safety valve automatically opens, then the whole amount of emissions, prevent pressure continued to rise. When the pressure drops to a specified value, the safety valve automatically closed timely.

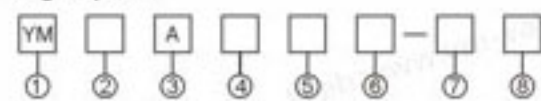
The safety valve design, manufacturing acceptance standards in line with the requirements of GB/T12243.

The cover of the closed type safety valve is closed, to prevent dust and debris intrusion, prevent the overflow of toxic and flammable medium, the open type safety valve with the open valve bobbet, can lower the temperature of the spring chamber, it is mainly used for pipes of steam medium and containers. The safety valve With the radiator mainly suitable for the operation condition of the medium temperature over 300 degrees Celsius. The spring safety valve with wrench, when the medium pressure reaches more than 75% of the opening pressure, can use wrench as manual open.

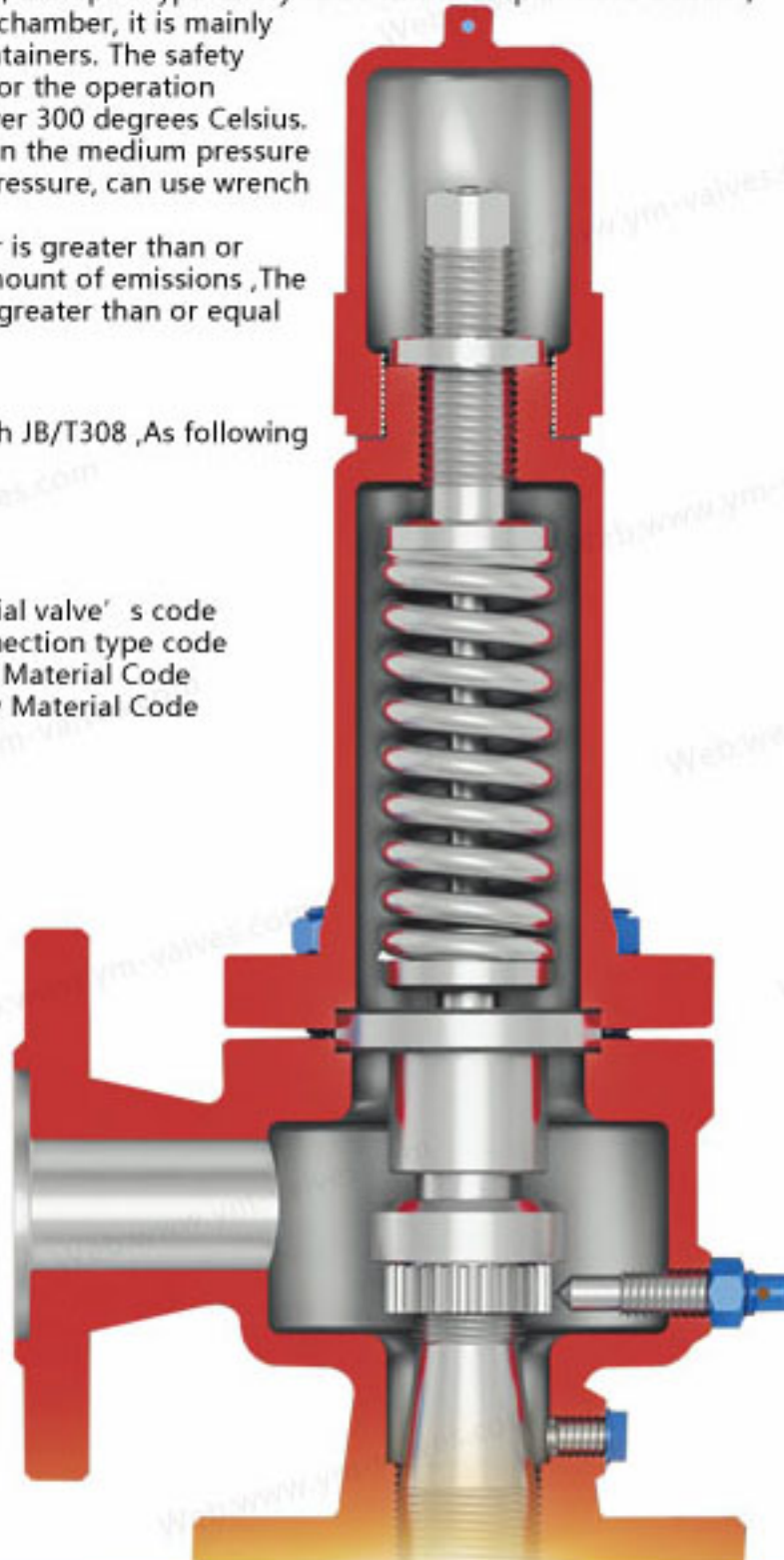
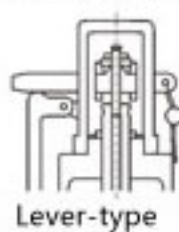
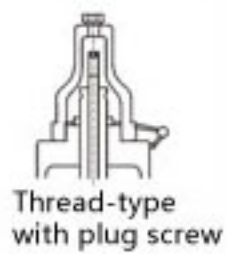
Full lift safety valve ,its opening diameter is greater than or equal to 1/4 flow path, having a large amount of emissions ,The opening height of low lift safety valve is greater than or equal to 1/20 port diameter.

The code of safety valve

The code of safety valve in according with JB/T308 ,As following eight part.



- 1-YuMing Valve Group Brand
- 2-Special valve' s code
- 3-Type Code
- 4-Connection type code
- 5-Structure Type Code
- 6-Seat Material Code
- 7-Normal Pressure
- 8-Body Material Code

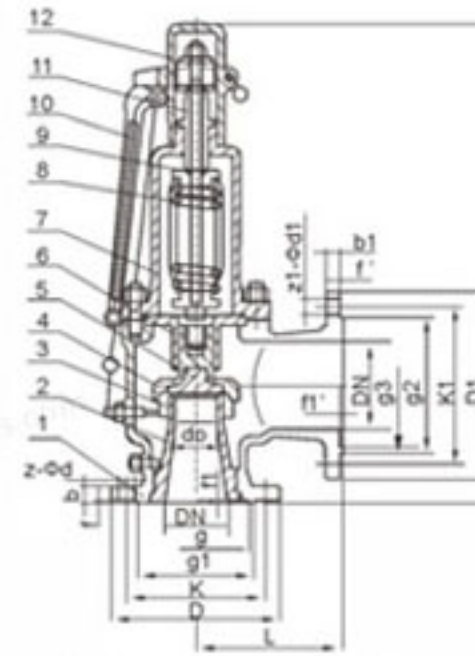


A48Y-16/25/40C Safety Valve



Design specification

Nominal perssure : PN16-PN40
Size range : DN25-DN400



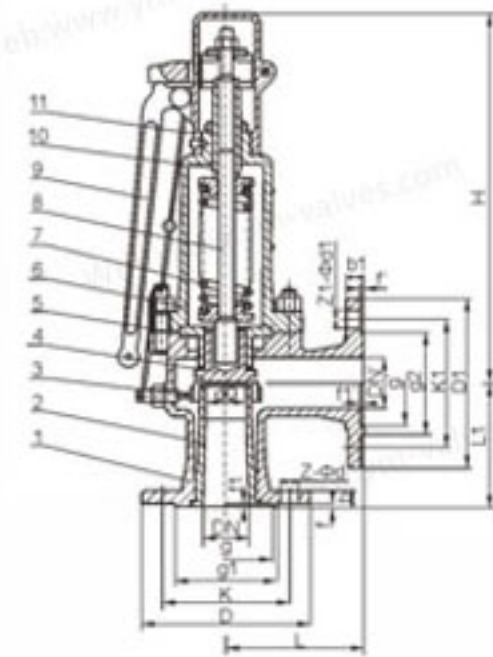
Body : WCB, stainless steel
Working medium : water,gas
Working temp : 0°C ≤ T ≤ 300°C

A47Y-16/25/40C Safety Valve



Design specification

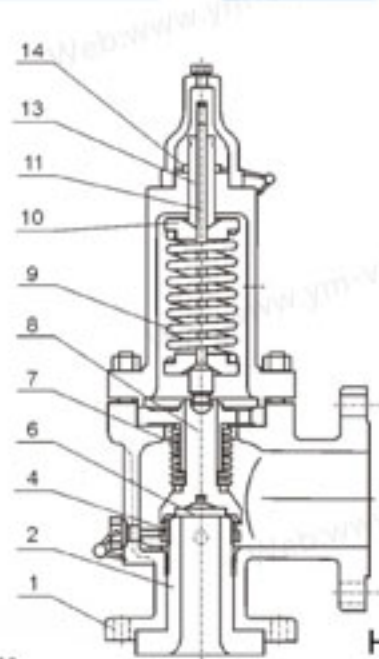
Nominal perssure : PN16-PN40
Size range : DN25-DN400



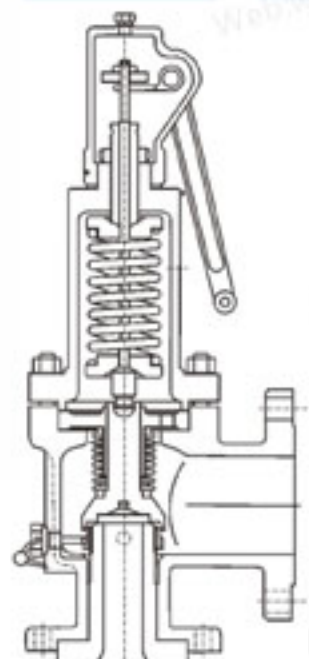
Body : WCB, stainless steel
Working medium : water,gas
Working temp : 0°C ≤ T ≤ 300°C

HF Pound-Grade Series Safety Valve

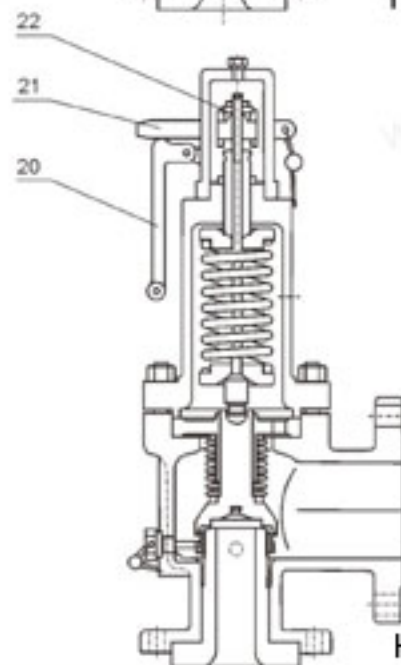
| 类别 Valve types | 进口法兰磅级 Flange Class | 阀体材料 Material of Body | 内件材料 (注) Material of Trim | 阀帽型式 Cap Types |
|--|--|--|---|--|
| HFO:普通式安全阀 Conventional A42C Type A44C Type A48C Type HFB:波纹管平衡式安全阀 Balanced Bellows WA42C Type WA44C Type | 编号 No.: 01:150Lb 03:300Lb 03a:300Lb 06:600Lb 09:900Lb 15:1500Lb 25:2500Lb | C:WCB P:CF8 R:CF8M R3:CF3M CL:LCB/LC2 C6/C9:WC6/WC9 M:Monel H:Hastelloy N:SPECIAL Material 特殊材料 | P:304 R:316 R3:316L M:Monel H:Hastelloy | A:螺纹式 Screwed B:带螺塞的螺纹式 Screwed with plug C:杠杆式 Lifting Lever D:封闭杠杆式 Close Lifting Lever E:带螺塞的封闭杠杆式 Close Lifting Lever With plug G:带螺塞的杠杆式 Lifting Lever With plug |



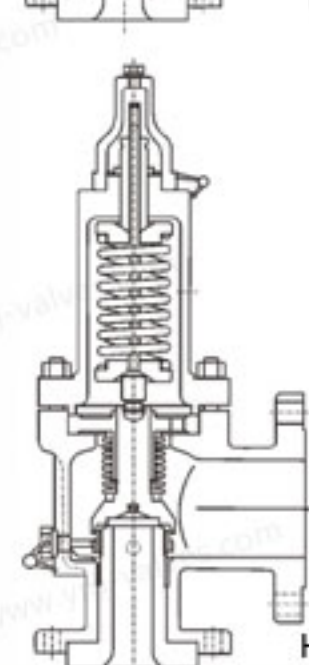
HFA42C



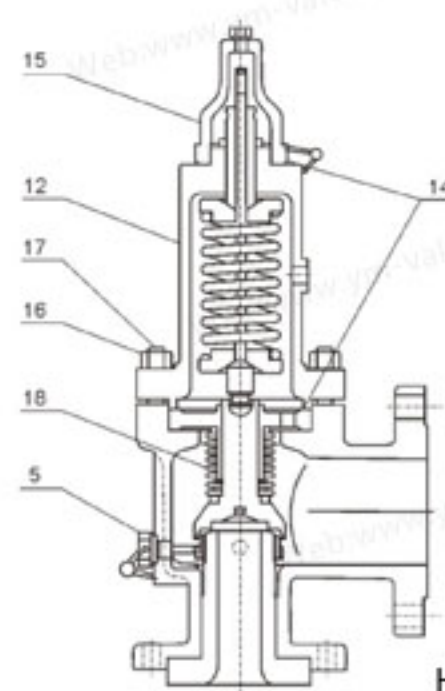
HFA44C



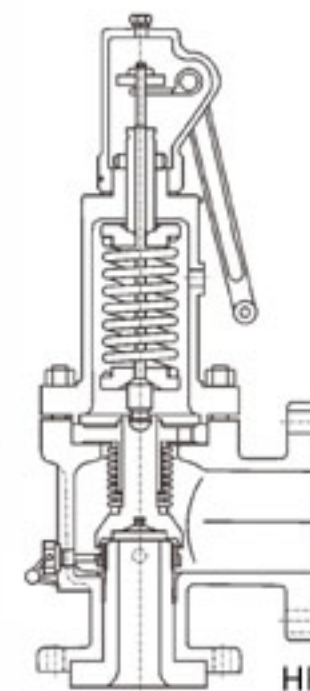
HFA48C



HFA41C



HFWA42C

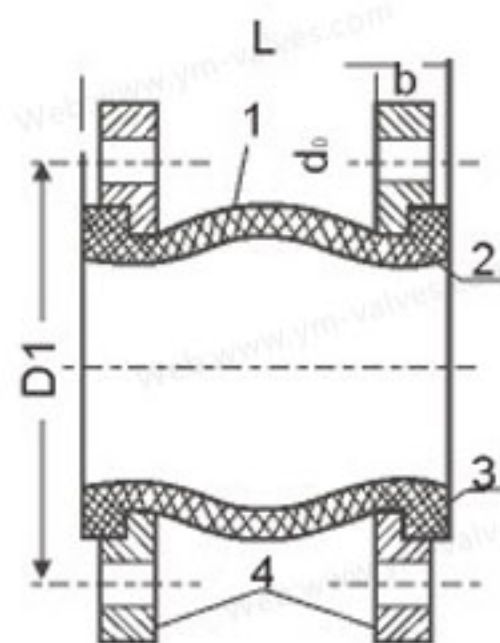


HFWA44C

- 1.Body:WCB,Stainless steel
- 2.Seat:Stainless steel
- 3.Plug:Carbon steel,Stainless steel
- 4.Nozzle Ring:Stainless Steel
- 5.Set Screw:Stainless steel
- 6.Disc:Stainless steel
- 7.Guide:ss304/ss316
- 8.Disc Holder:SS304/SS316
- 9.Spring:Alloy Steel
- 10.Spring Washer:Carbon steel ,Stainless Steel
- 11.Stem:stainless steel

- 12.Bonnet:WCB,Stainless steel
- 13.Adjusting Bolt:Stainless steel
- 14.Bolt.nut:WCBStainles steel
- 15.Cap:WCB stainless steel
- 16.Nut:steel
- 17.Bolt:steel
- 18.Bellows: stainless steel
- 19.Gaskets:Asbestos Teflon
- 20.LiftingLevel:WCB
- 21.Rail:WCB
- 22Upgrade Nut:WCB

KXT Rubber Joints

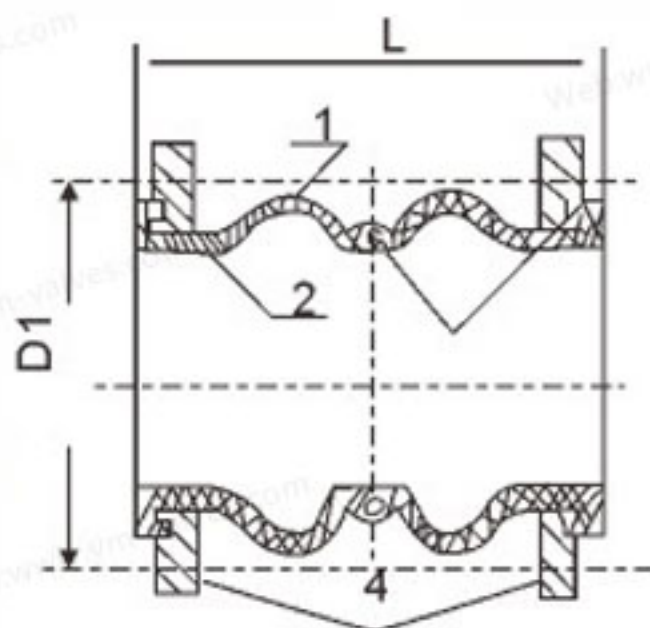


Design specification

Nominal pressure : PN16
Size range : DN32-DN1800
Working medium : water,air
Working Temp:-15°C≤T≤115°C

Flange: Carbon steel ,Stainless steel
Rubber : EPDM,NR,NBR
Connection type : Flange

KST Rubber Joints



Design specification

Nominal pressure : PN16
Size range : DN40-DN300
Working medium : water,air
Working Temp:-15°C≤T≤115°C

Flange: Carbon steel ,Stainless steel
Rubber : EPDM,NR,NBR
Connection type : Flange

Packing & Shipment



1.How long does your company produce valves?

Answer: We professional product and sale valves from 1972

2.Do you have any guarantee on the quality of your valves?

Answer: As long as the valves are from Yu Ming Valve Group Co., Ltd, we promise that the minimum period quality assurance is one year. If the products have any problem on quality within this period, we all provide exchange service. If they have been installed, inconvenient to be exchanged, we will provide technical personnel to help solve the problem.

3.If we have a large quantity of valves, can you give us a discount?

Answer: We provide unified wholesale price to customers. No matter you buy one or hundreds of valves, we try our best to give you benefit, because we want to establish long-term cooperation relationship with you.

4.Why some other company provide a lower price than yours?

Answer: Now the competition among peers is fierce. In order to increase sales, many manufacturers fight a price war. Some even sell shoddy at the price of products of high level to get more customers by any means. We don't provide such a low price, because we need reasonable profit to ensure the quality of service and the development of our company. Certainly, we also don't provide sky-high price, because the market is always rational. I believe you are a smart customer. Price must match with quality. Which reasonable price can meet your needs and bring you long-term cooperation, I believe you know more than me.

5.Does your quotation include transportation charges and taxes?

Answer: No, it is the wholesale price, without transportation charges and taxes.

6.We just see the pictures of products instead of seeing them in kind. I have doubt that the real objects are different from the shown pictures.

Answer: The pictures we give to you are taken in kind, without processing on computer. If you are not assured, we suggest you take some samples of our products. Then if you are satisfied, let's cooperate.

YUMING VALVE GROUP

Expert in Industry Fluid
System Control

精英团队

Elite Team



多年来，企业坚持“做强主业”的战略，坚持走科学发展路子，大胆突破传统企业发展模式，成功实现三大转型：产品结构由复制模式转换为自主研发，加强产品知识产权保护，企业股权结构开放转型，治理结构由传统模式向现代科学管理模式转型。

YUMING VALVE GROUP
Expert in Industry Fluid
System Control

检测中心 Test Center



• 力学性能测试
• 材料试验机

• 冲击试验机

为了提供高品质产品，
公司配置了先进的检测设备以及完善的检测手段，
建立了一支严格要求的品质管理队伍，
实现了从原材料检测，
生产过程检测，
产品及应用全过程的质量控制。



• 金相分析仪

• 直读光谱仪

• 试样制备机

YUMING VALVE GROUP

Expert in Industry Fluid
System Control

生产装备

Production Equipment

公司拥有铸造、加工、焊接、热处理等先进的生产加工设备和专业化的生产车间，不断完善产品加工工艺，严格控制产品制造每一道工序、每一个环节，精益求精，确保了宇明阀门的优良品质。



YUMING VALVE GROUP
Expert in Industry Fluid
System Control

品质保障
Quality Assurance



YUMING VALVE GROUP
Expert in Industry Fluid
System Control

品质保障

Quality Assurance

